

## 3.00" Single Cable Management Ring, 10 Pack

---

### Package Includes:

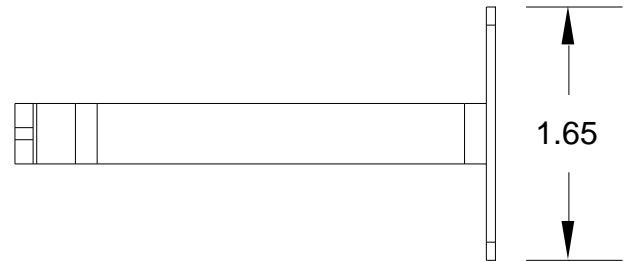
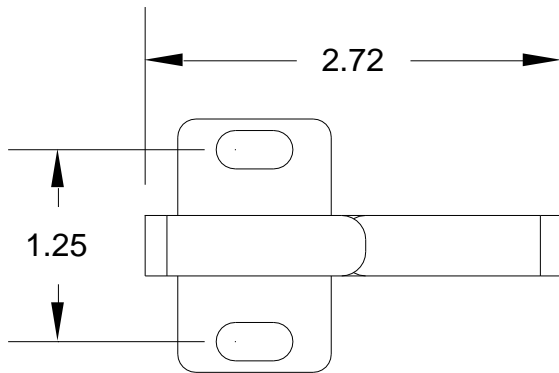
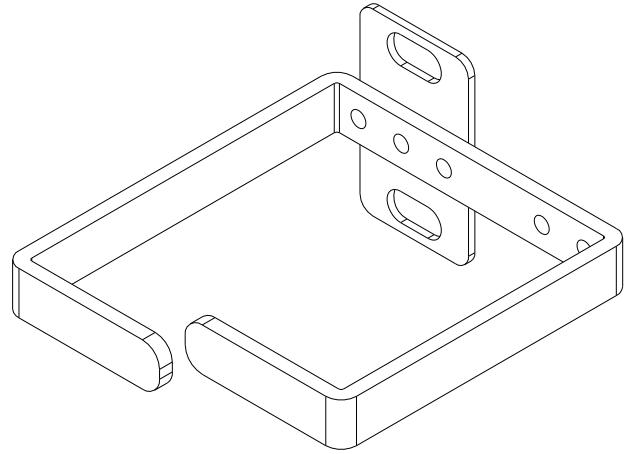
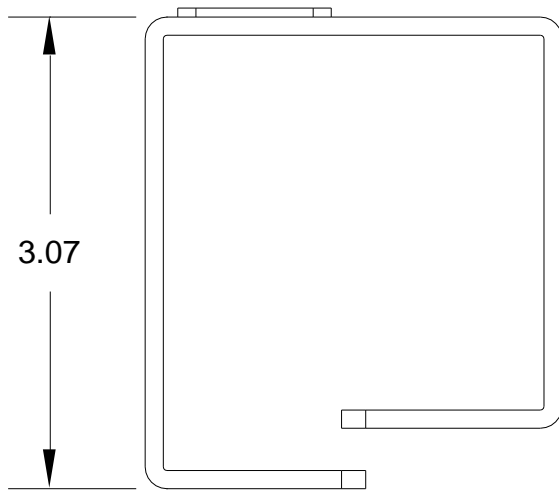
- A. 3" Single Cable Management Ring, **10 Pieces**
- B. #12-24 x 5/8" Pan Head, Pilot Point Machine Screw, **20 Pieces**
- C. M4 x 4MM Pan Head, Phillips with Washer Screw, **10 Pieces**



### Features and Benefits

- Provides flexibility for front and back cable management with a neat and clean appearance
- Suitable for distribution racks, wall mount racks, and wall mount brackets
- Used with ICCMS distribution racks, ICCMSWMR wall mount racks, ICCMSSFR wall mount swing frame

## Product Specification



### **NOTE: UNLESS OTHERWISE SPECIFIED**

#### 1. Material:

- A. Ring: 1/8" X 3/8" Strip CRS
- B. Bracket: 16 Gauge CRS

#### 2. Surface Finish: Black Textured Powder Coat