

Horizontal Cable Management Ring, 1.25", 10 Pack

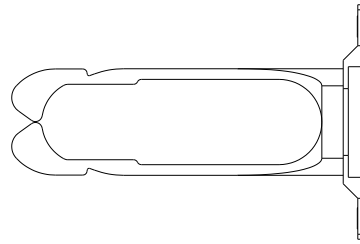
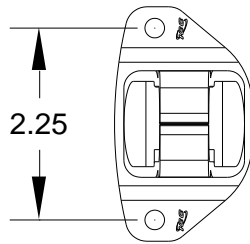
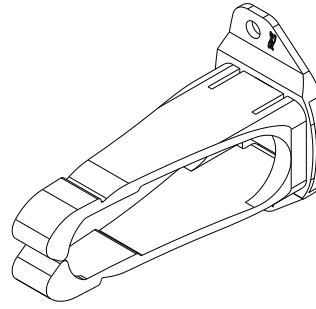
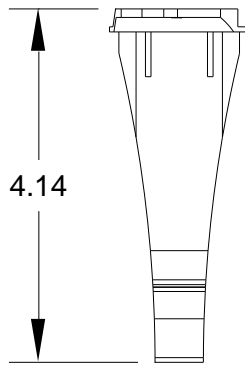
Package Includes:

- A. Horizontal Cable Management Ring, **10 Pieces**
- B. Mounting Screws, **20 Pieces**



Features and Benefits

- Provides flexibility for front or back cable management with a neat and clean appearance
- Suitable for all racks, wall mount racks, and wall mount brackets
- Used with ICCMS distribution and cable management racks, ICCMSWMR wall mount racks, ICCMSSFR wall mount swing gate racks, ICCMSVHB wall mount vertical hinged brackets, and ICCMSHB wall mount hinged brackets



NOTE: UNLESS OTHERWISE SPECIFIED

1. Material: High Impact ABS, UL 94V-0
2. Color: Black