

# Cable Management Rack, 7 Feet, 45 RMS

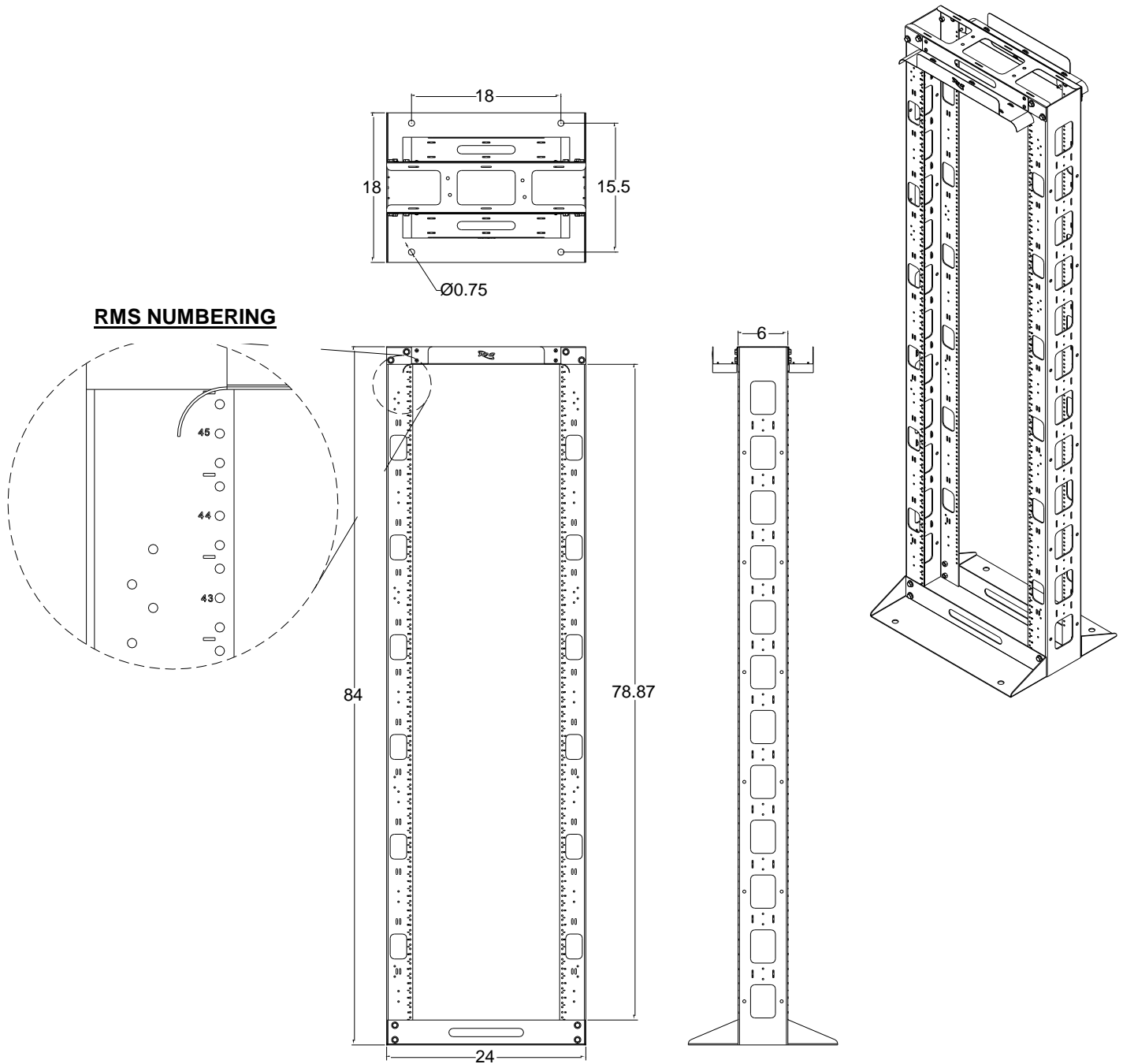


## Package Includes:

- A. Top Support, **1 Piece**
- B. Base, **2 Pieces**
- C. Side Rail, **2 Pieces**
- D. Front Trough, **1 Piece**
- E. Rear Trough, **1 Piece**
- F. 3/8-16 UNC x 5/8" Hex Bolt, **16 Pieces**
- G. 3/8-16 UNC Serrated Flanged Hex Nut, **16 Pieces**
- H. 3/8 SAE Flat Washer, **16 Pieces**
- I. #12-24 x 5/8" Pan Head, Pilot Point Machine Screw, **8 Pieces**
- J. Installation Instructions, **1 Sheet**

## Features and Benefits

- Designed with both aluminum and steel construction, making it ideal for installing voice and data equipment such as patch panels, active components, shelves, drawers, and cable management products creating a neat structured and organized cabling system.
- 45 Rack Mount Space (RMS) with a 750 lbs. weight capacity
- Built with cable channels along both sides of the rack to manage and conceal bulk cable vertically along the inside of the rack
- Used with all ICC rack mount products
- Printed rack mount space numbering for easy installation
- Use with Concrete Floor/Wall rack Install Kit (ICCMRFLKT) to secure rack to floor
- Assembly installation instructions
- EIA/ECA-310-E compliant



**NOTE: UNLESS OTHERWISE SPECIFIED**

1. Material:

- A. Top Support: 16 Gauge CRS
- B. Base: 12 Gauge CRS
- C. Side Rails: 1/8" Thick 5052 H-32 Aluminum
- D. Front & Rear Troughs: 16 Gauge CRS

2. Surface Finish: Black Powder Coat

Part No: ICCMSCMRH7

Rev: H

Page 2 of 2

| 888-ASK-4ICC | [icc.com](http://icc.com) | [csr@icc.com](mailto:csr@icc.com) |

