

Metal Cable Management D-Ring, 100 Pack

Package Includes:

A. Metal D-Ring, 100 Pieces

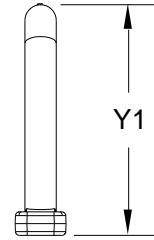
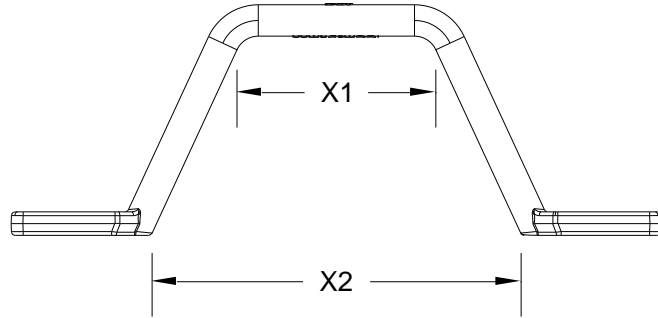
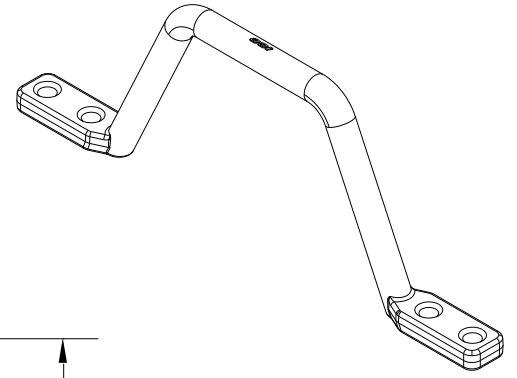
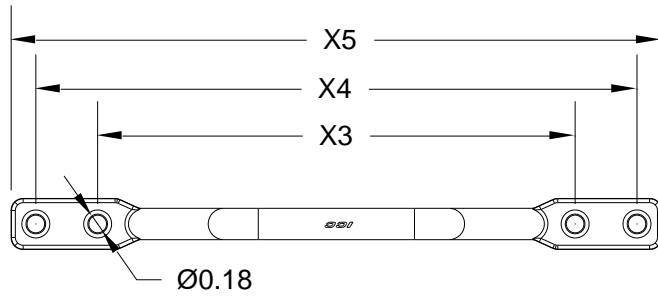


Features and Benefits

- Used to provide support for cable runs in horizontal and vertical along walls, backboards or flat surfaces
- Economical solutions to more expensive cable tray or ladder rack runway systems
- Constructed of durable die cast aluminum
- Designed with two mounting holes per side for several mounting methods
- Smooth rounded edges to avoid cables being damaged
- Available in three inside diameters (2", 3" and 5")
- Packaged in 100-pack ideal for small to large installations
- Required (4) #10 machine screws to secure D-Ring into walls or flat surfaces. Not included
- D-Ring is also available in plastic (ICCMSDRP02, ICCMSDRP03, ICCMSDRP05)

Cable Fill Capacities (60% Fill)				
Part No.	CAT 5e (.18")	CAT 6 (.2")	CAT 6A (.34")	1 Fiber (.079")
ICCMSDRM02	53	43	15	276
ICCMSDRM03	121	98	34	630
ICCMSDRM05	177	144	50	926
Note: Capacities are based on ICC's cable diameters				

Product Specification



NOTE: UNLESS OTHERWISE SPECIFIED

1. Material: Die-Cast Aluminum

Part Number	X1	X2	X3	X4	X5	Y1
ICCMSDRM02	2.00	3.71	4.80	6.05	6.54	2.31
ICCMSDRM03	3.00	5.65	6.73	7.97	8.47	3.31
ICCMSDRM05	5.00	7.64	8.73	9.97	10.47	3.31