

Plastic Cable Management D-Ring, 100 Pack



Package Includes:

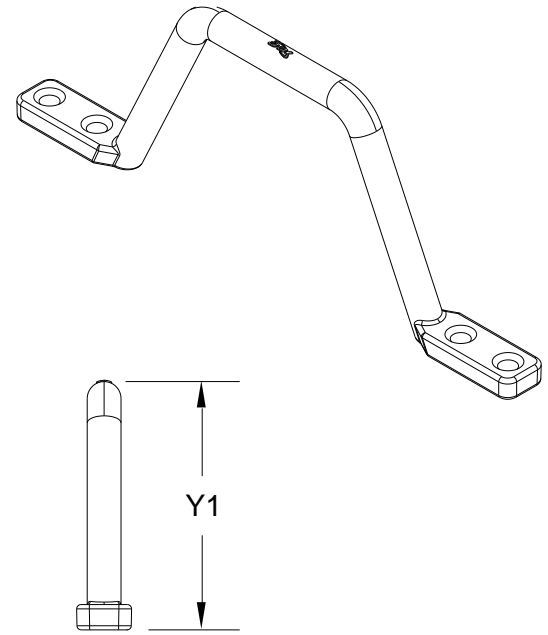
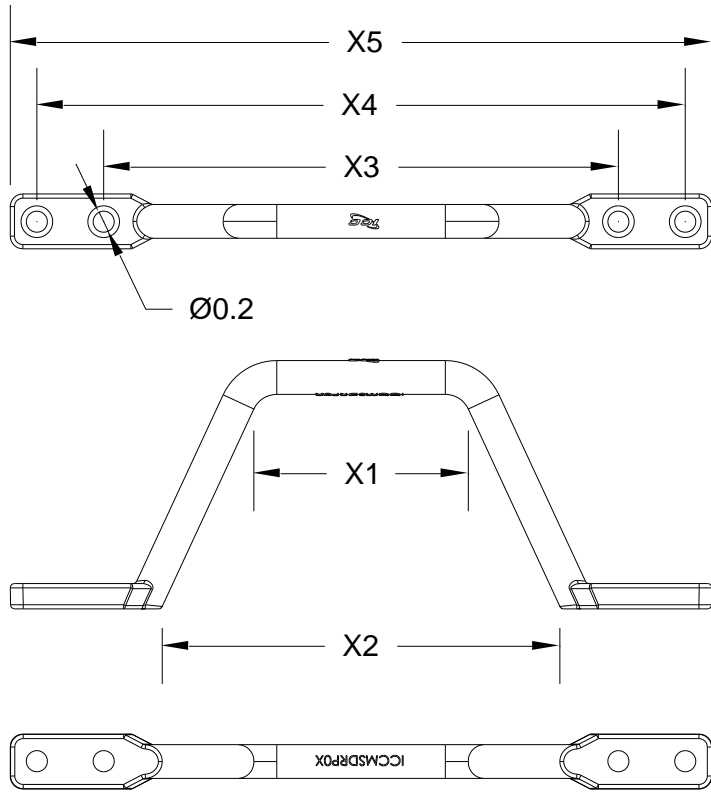
A. Plastic D-Ring, 100 Pieces

Features and Benefits

- Used to provide support for cable runs in horizontally and vertically along walls, backboards or flat surfaces
- Economical solutions to more expensive cable tray or ladder rack runway systems
- Designed with two mounting holes per side for several mounting methods
- Smooth rounded edges to avoid cables being damaged
- Constructed from durable non-conductive ABS plastic
- Available in three diameter sizes (2", 3" and 5")
- Packaged in 100-pack ideal for small to large installations
- Required (4) #10 machine screws to secure D-Ring into walls or flat surfaces. Not included
- D-Ring is also available in die cast Aluminum (ICCMSDRM02, ICCMSDRM03, ICCMSDRM05)

Cable Fill Capacities (60% Fill)				
Part No.	CAT 5e (.18")	CAT 6 (.2)	CAT 6A (.34)	1 Fiber (.079")
ICCMSDRM02	53	43	15	276
ICCMSDRM03	121	98	34	630
ICCMSDRM05	177	144	50	926
Note: Capacities are based on ICC's cable diameters				

Product Specification



NOTE: UNLESS OTHERWISE SPECIFIED

- 1. Material: High Impact ABS, UL 94V-0
- 2. Color: Black

Part Number	X1	X2	X3	X4	X5	Y1
ICCMSDRP02	2.00	3.73	4.80	6.05	6.53	2.31
ICCMSDRP03	3.00	5.66	6.73	7.97	8.47	3.31
ICCMSDRP05	5.00	7.66	8.73	9.97	10.47	3.31

