

# 1 5/16" J-Hook with 90° Bracket, 25 Pack

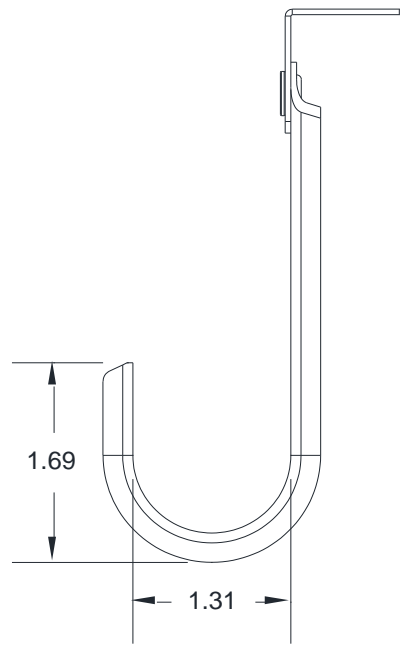
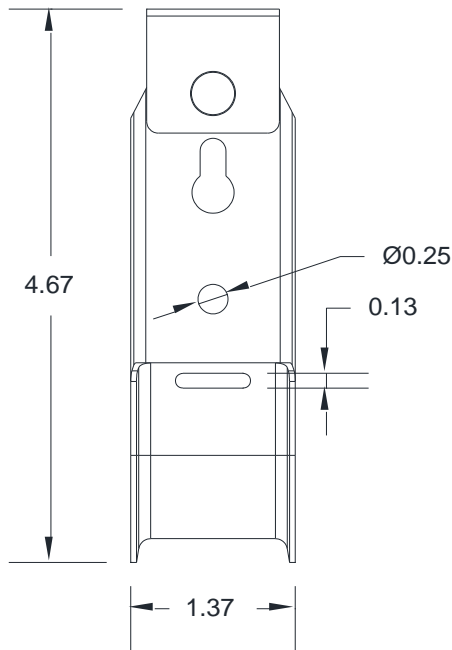
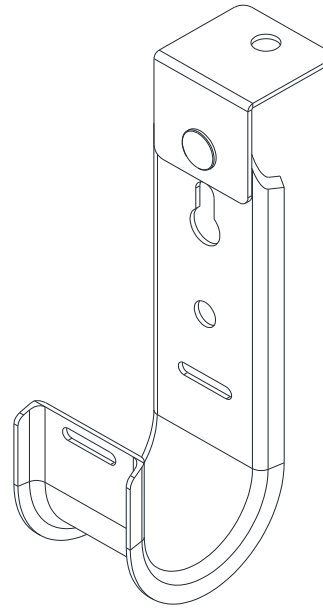
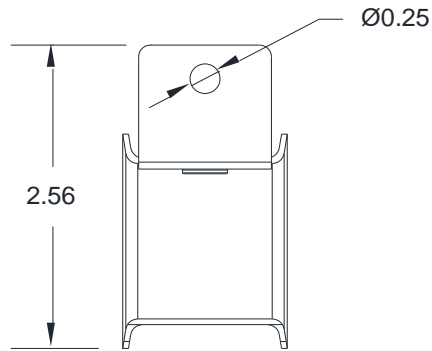
## Package Includes:

A. 1 5/16" J-Hook, 25 Pieces



## Features and Benefits

- Designed from high quality galvanized steel for strength and durability
- Swivel angle bracket allows for J-Hook to be ceiling mounted and pivot from 0° to 180°
- Accommodates CAT 5e, CAT 6, CAT 6A, coax, fiber, and conduit
- Rust resistant zinc finish
- Complies with EIA/TIA requirements for structured cabling systems
- Cost effective alternative to expensive cable tray or ladder runway rack
- Smooth edges provides proper support, facilitate bend radius
- Cables can be pulled through quickly and easily
- Cable anchor points allows users to secure with cable ties



**NOTE: UNLESS OTHERWISE SPECIFIED**

1. Material: 18 Gauge Galvanized Steel
2. Surface Finish: Zinc Plated

Capacity Reference		
Cable Type	CAT 5e	CAT6
Qty	~50	~32