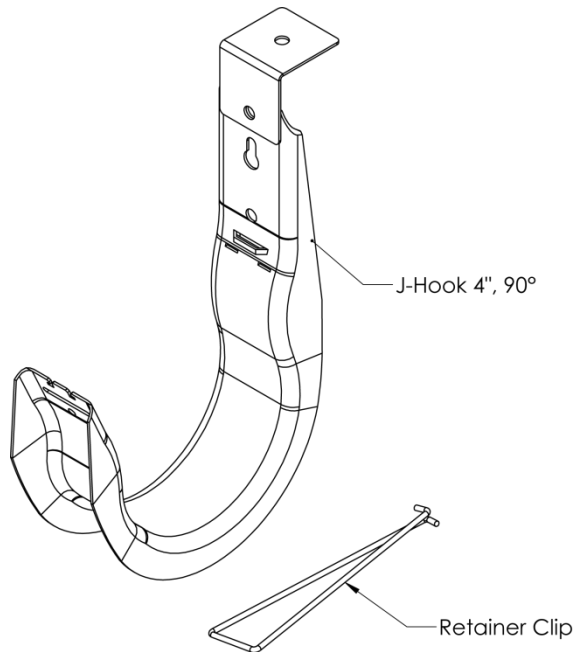


# J-Hook, 4", 90°, 25 PK



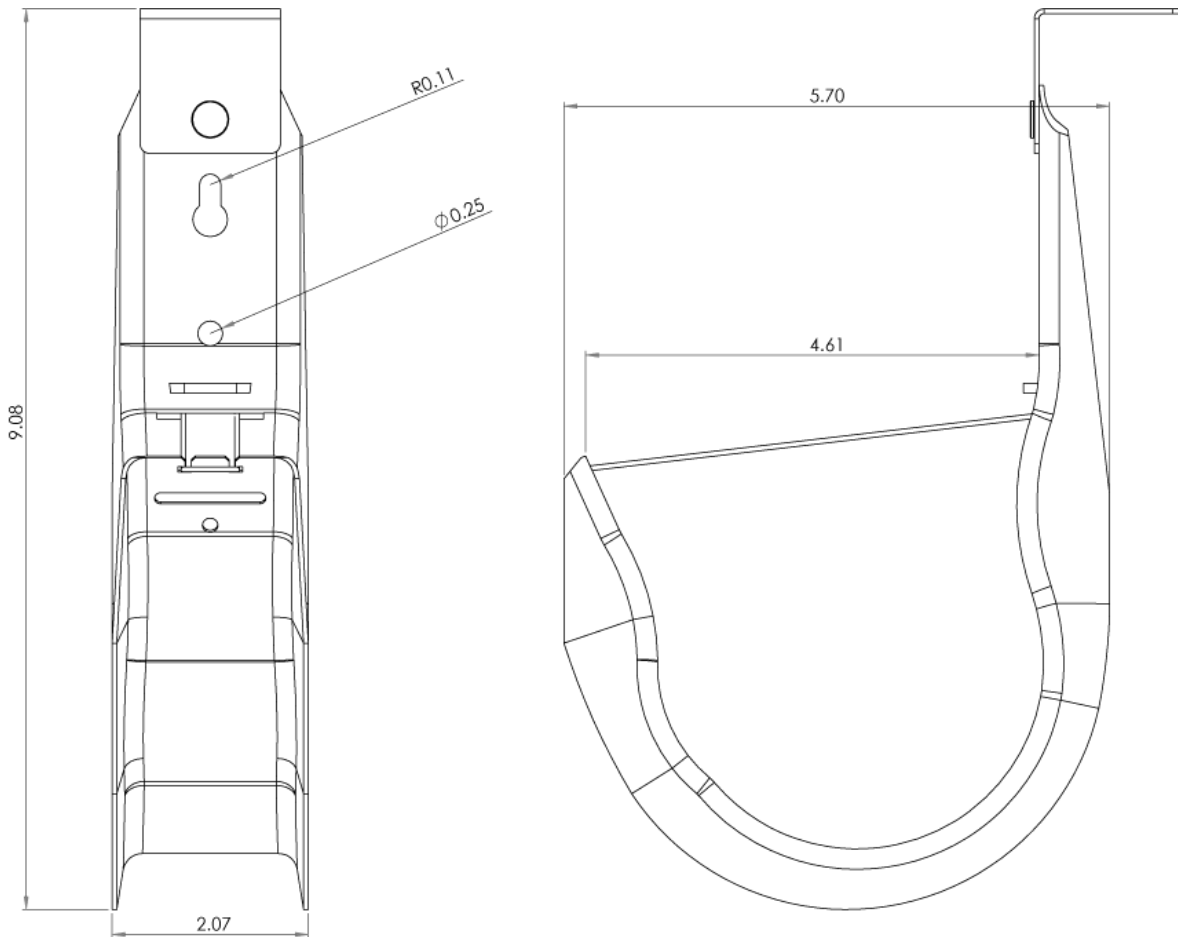
## Package Include:

A. J-Hook, 4", 90°, 25 Pieces

B. Retainer Clip, 25 Pieces

## Features and Benefits

- Reinforced body to withstand more payload
- Made of high quality galvanized steel for strength and durability
- Accommodates CAT 5e, CAT 6, CAT 6A, coax, and fiber optic cables, and conduit
- Rust-resistant zinc finish
- Complies with EIA/TIA requirements for structured cabling systems
- Cost efficient alternative to expensive cable trays or ladder rack runways
- Smooth edges to protect cables and facilitate bend radius
- Cables can be pulled through quickly and easily
- Designed with anchor points that can be secured with cable ties
- Swivel angle bracket allows for J-Hook to be ceiling mounted and pivot from 0° to 180°
- Available in bulk packs of 25



**NOTE: UNLESS OTHERWISE SPECIFIED**

1. Material: 18 Gauge Galvanized Steel
2. Surface Finish: Zinc Plated

Capacity Reference		
Cable Type	CAT 5e	CAT6
Qty	~160	~100