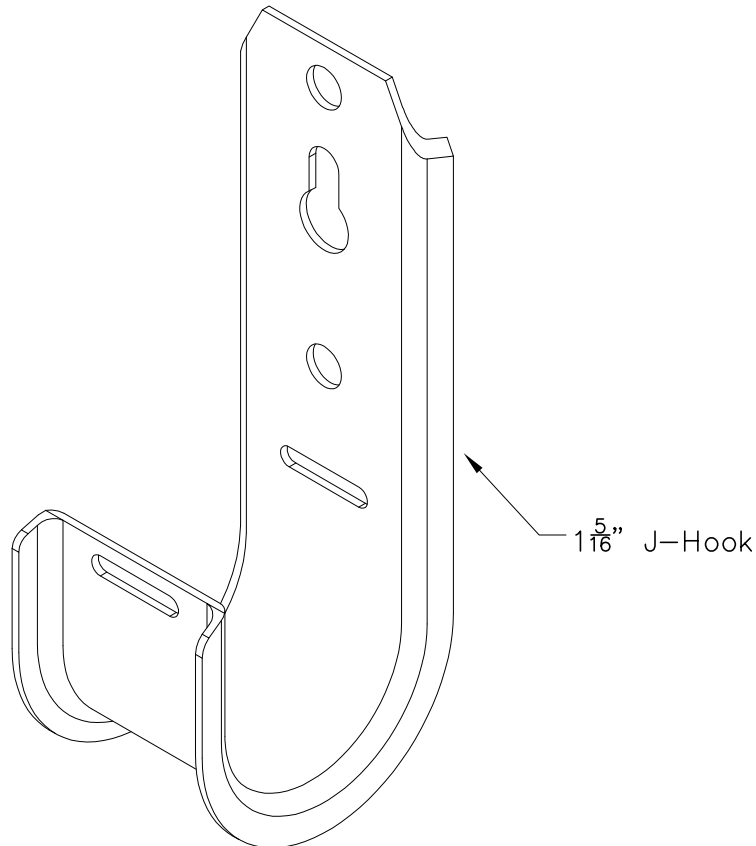


1 5/16" J-Hook 25 Pk

PRODUCT SPECIFICATION

Package includes:

A. J-Hook, 25 pcs



Features and Benefits:

- Designed from high quality galvanized steel for strength and durability
- Accommodates CAT 5e, CAT 6, CAT 6a, coax, fiber, and conduit.
- Rust resistant zinc finish
- Complies with EIA/TIA requirements for structured cabling systems
- Cost effective alternative to expensive cable tray or ladder runway rack
- Smooth edges provides proper support, facilitate bend radius
- Cables can be pulled through quickly and easily
- Cable anchor points allows users to secure with cable ties

J-HOOK, 1 5/16", 25 PK

ITEM NO. ICCMSJHK33

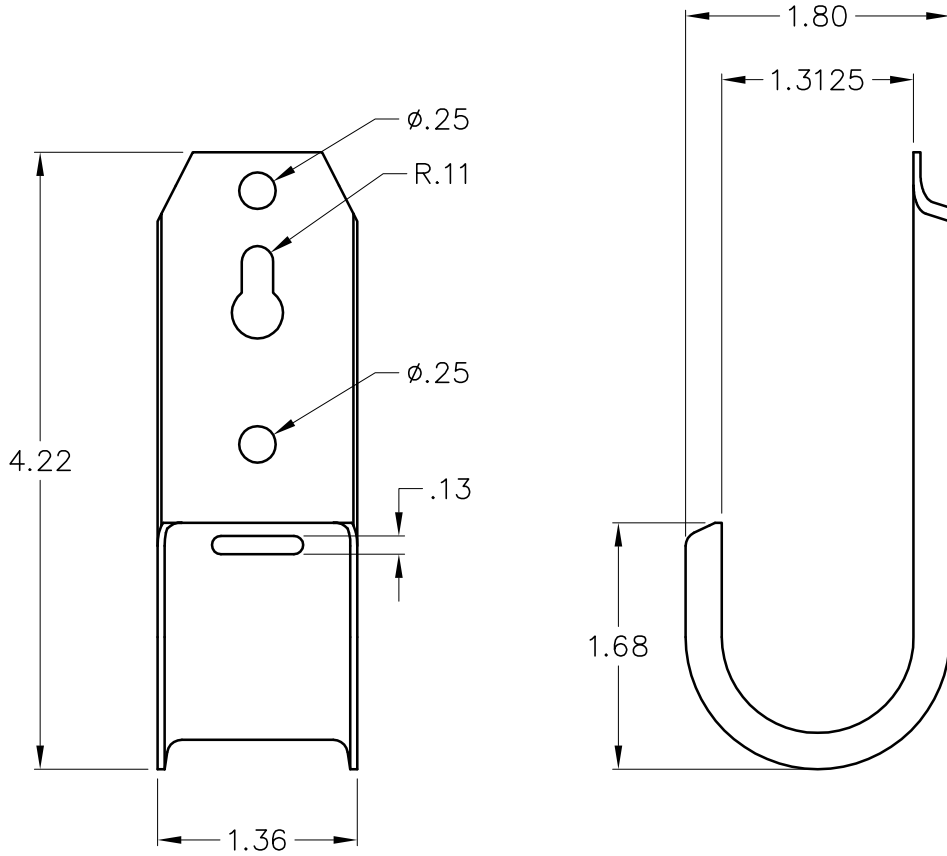
REV. A

DWG NO. PSCMSJHK33

PAGE NO. 1



CUSTOMER CARE / TECHNICAL SUPPORT * CSR@ICC.COM / 888-ASK-4-ICC (275-4422) * 14700 Alondra Blvd., La Mirada, CA 90638 * www.icc.com



NOTE: UNLESS OTHERWISE SPECIFIED

- 1. MATERIAL: 18GA GALVANIZED STEEL
- 2. FINISH: ZINC PLATED

Capacity Reference		
CABLE TYPE	CAT 5e	CAT 6
QTY	~50	~32

J-HOOK, 1 5/16", 25 PK

ITEM NO.	ICCMSJHK33	REV.	A	
DWG NO.	PSCMSJHK33	PAGE NO.	2	

CUSTOMER CARE / TECHNICAL SUPPORT * CSR@ICC.COM / 888-ASK-4-ICC (275-4422) * 14700 Alondra Blvd., La Mirada, CA 90638 * www.icc.com