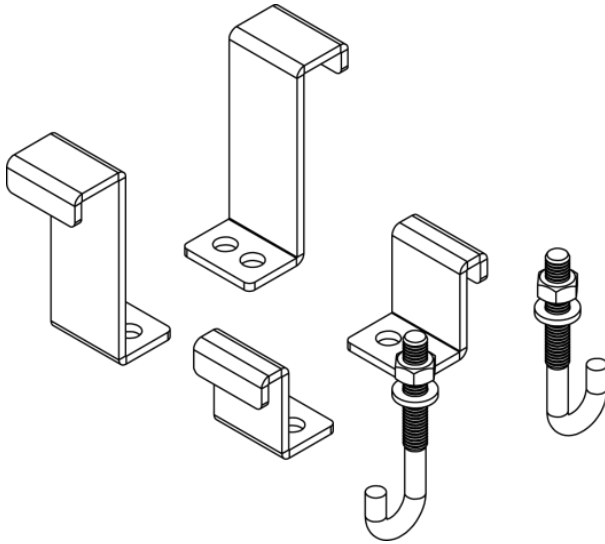


Ladder Rack Runway Relay Bracket Kit for 4-Post Rack

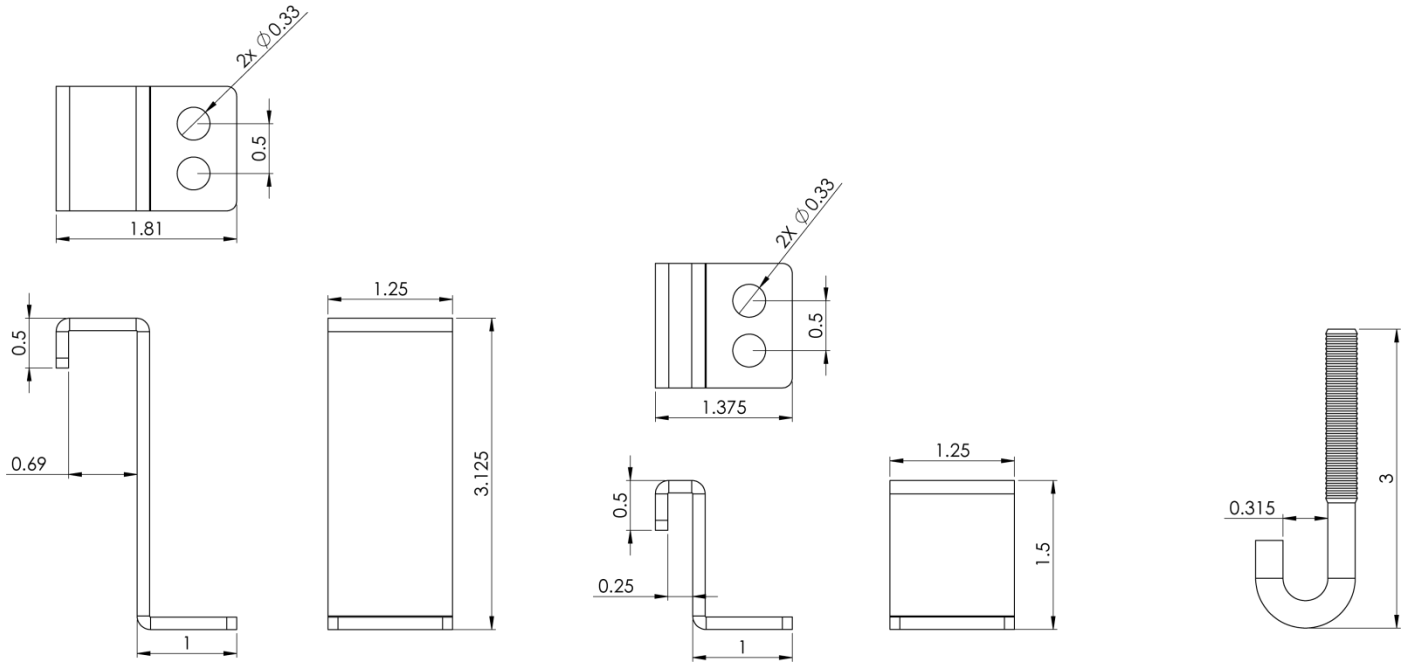
Package Include:

- A. Parallel Mounting Bracket, **2 Pieces**
- B. Perpendicular Mounting Bracket, **2 Pieces**
- C. #5/16-18 x 3" J-Bolt, **2 Pieces**
- D. #5/16-18 Nut, **2 Pieces**
- E. #5/16-18 Lock Washer, **2 Pieces**



Features and Benefits

- Designed with durable steel construction, providing strength and stability
- Designed to secure Ladder Rack Cable Runways perpendicular or parallel to the 4-Post Distribution rack
- Used with ICCMSLST Ladder Rack Cable Runways



Specifications

- Brackets:
 - Material: 11GA CRS
 - Finish: Textured Black Powder Coat
- J-Bolts:
 - Material: Steel
 - Finish: Zinc

