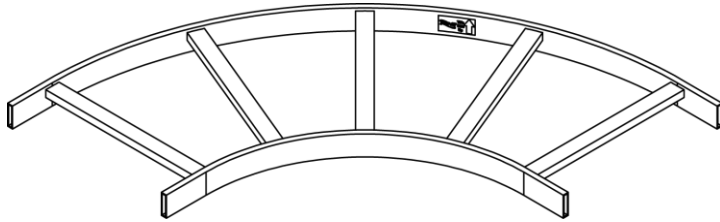


# Ladder Rack Cable Runway 90-Degree Flat Turn Section

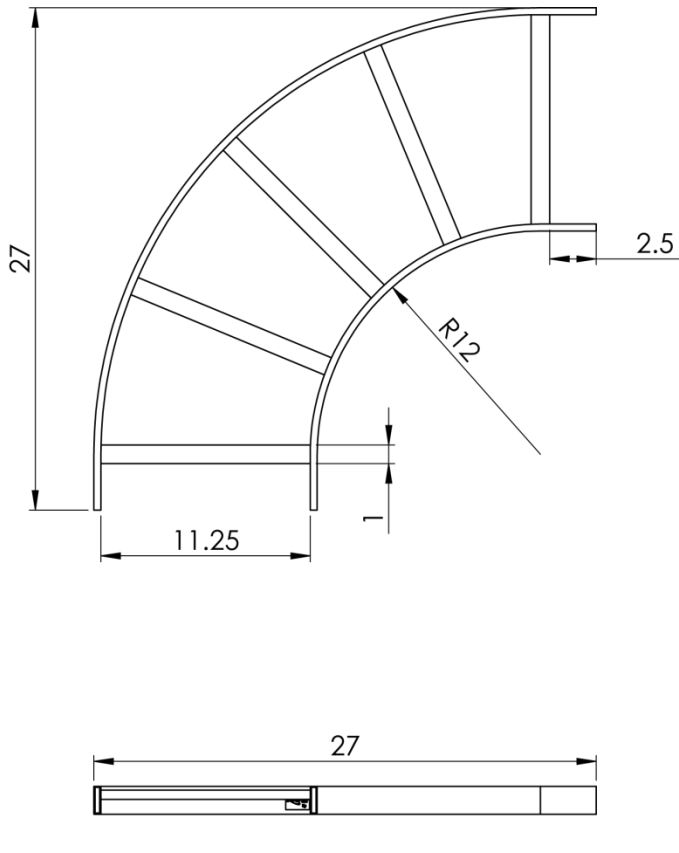
## Package Include:

A. 90° Flat Turn Ladder Rack Runway, 1 Piece



## Features and Benefits

- Designed with durable steel construction, black textured powder coated, providing strength and stability for long lasting use
- Designed to change the horizontal cable running overhead in a 90° flat turn
- Used with ICCMSLST Ladder Rack Cable Runways



**NOTE: UNLESS OTHERWISE SPECIFIED**

- Material: 16GA Steel Tubing
- Construction: Welded
- Surface Finish: Black Powder Coat