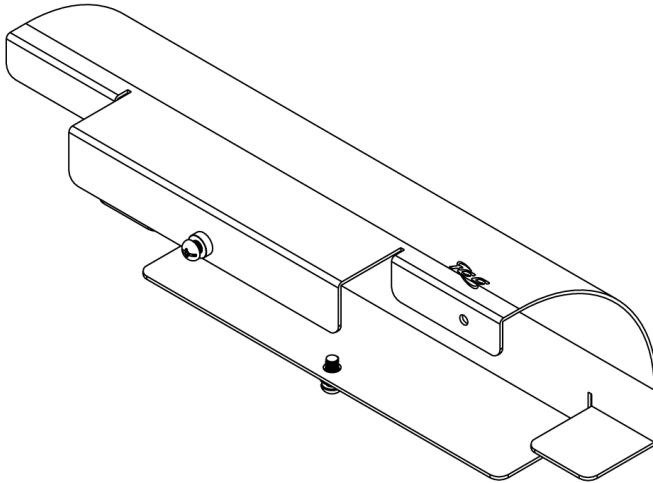


Ladder Rack Cable Radius Drop Kit in 2 Pack

Package Includes:

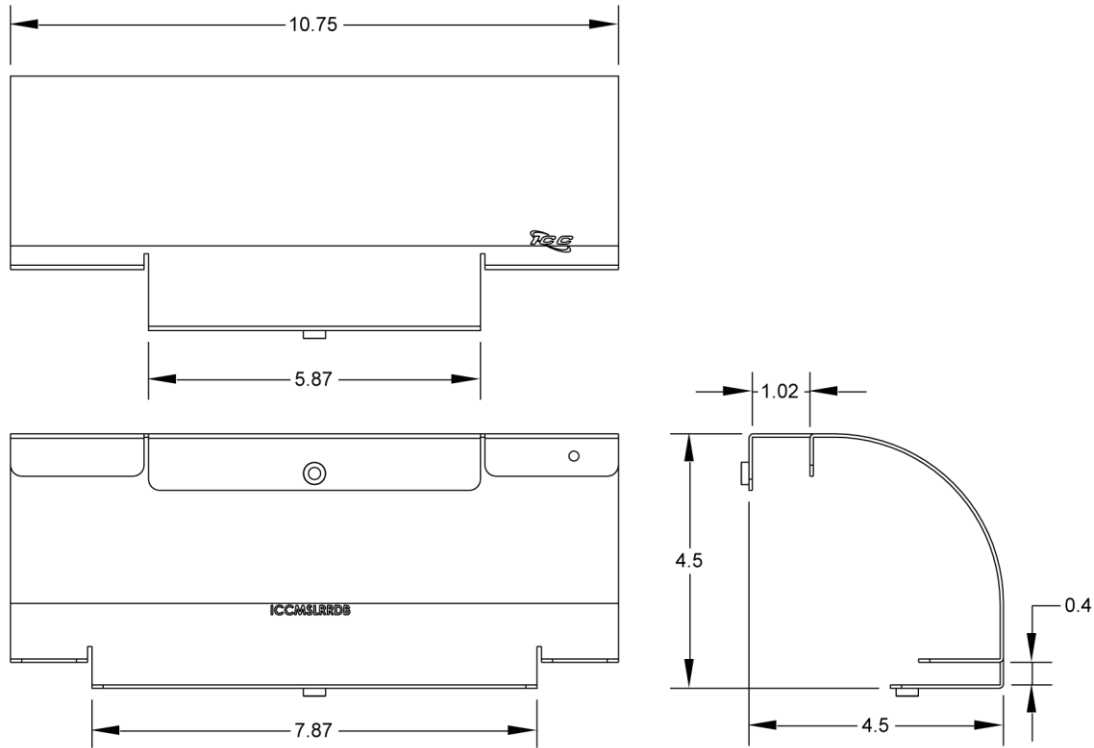
A. Cable Radius Drop, 2 Pieces

B. Mounting Screw, 4 Pieces



Features and Benefits

- Designed with durable steel construction, black powder coating, providing strength and stability for long lasting use
- Designed to be attached to the rungs and sides of ladder racks to maintain bend radius at drop Points
- Used with ICCMSLST ladder rack runways
- Provides the “waterfall effects” and maintain proper Category 5e/6/6A or fiber cables bend radius
- Feature cable management holes to properly secure cables onto radius with cable ties
- Quick and easy installation with only two screws per radius drop
- Available in 2 Pack



NOTE: UNLESS OTHERWISE SPECIFIED

- Material: 16GA CRS
- Surface Finish: Black Powder Coat