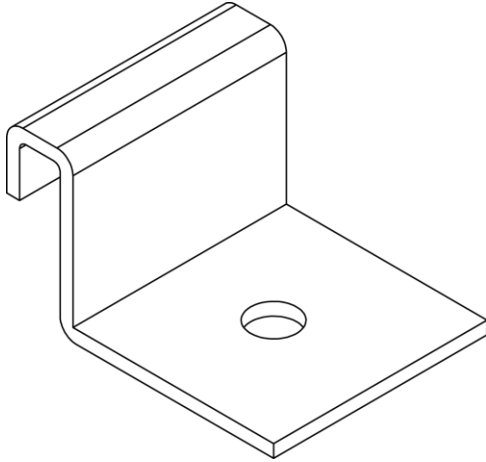


# Ladder Rack Wall Bracket in 2 Pack

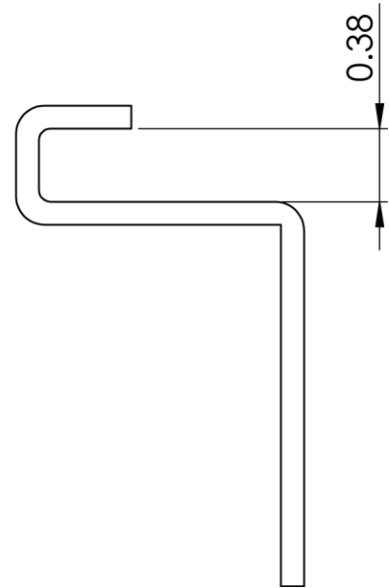
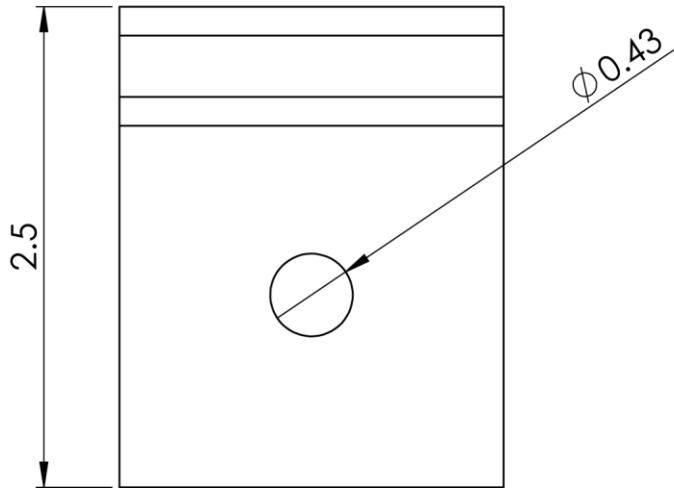
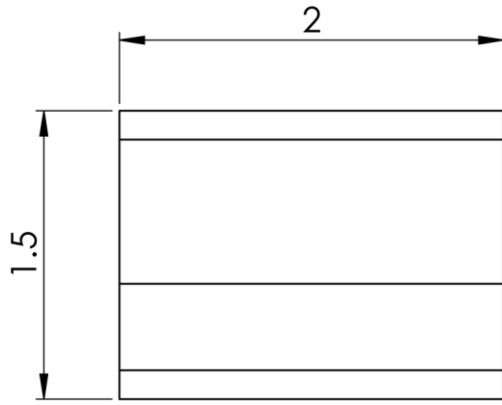
## Package Include:

A. Runway Wall Bracket, 1 Piece



## Features and Benefits

- Designed with durable steel construction, black textured powder coated, providing strength and stability for long lasting use
- Designed to secure runway sections flat against the wall
- Used with ICCMSLST Ladder Rack Cable Runway



**NOTE: UNLESS OTHERWISE SPECIFIED**

- Material: 11GA CRS
- Surface Finish: Textured Black Powder Coat