

# Two Post Distribution Rack, 4 Feet, 24 RMS

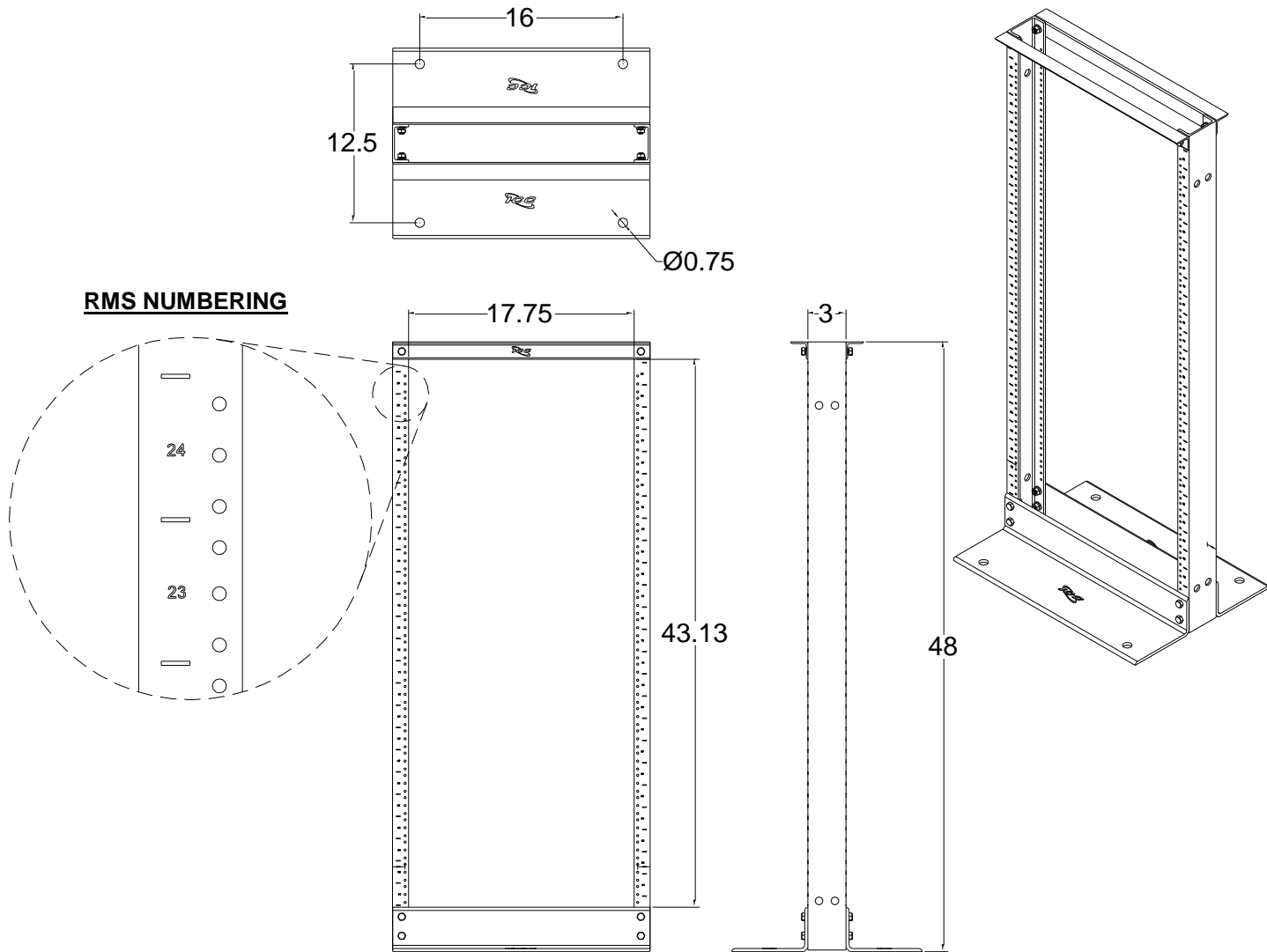


## Package Includes:

- A. Top Rail, **2 Pieces**
- B. Base, **2 Pieces**
- C. Side Rail, **2 Pieces**
- D. 3/8-16 UNC x 1" Black Oxide, Grade I Hex Bolt, **12 Pieces**
- E. 3/8-16 UNC Black Oxide Hex Nut, **12 Pieces**
- F. 3/8 Black Oxide Lock Washer, **12 Pieces**
- G. Installation Instructions, **1 Sheet**

## Features and Benefits

- Designed with aluminum construction, black powder coated, lightweight and sturdy, making it ideal for installing voice and data equipment such as patch panels, active components, shelves, drawers, and cable management products creating a neat structured and organized cabling system.
- 24 Rack Mount Space (RMS) with a 750 lbs. weight capacity
- Used with all ICC rack mount products
- Printed rack mount space numbering for easy installation
- Use with Concrete Floor/Wall rack Install Kit (ICCMSRFLKT) to secure rack to floor
- Assembly installation instructions
- Shipping Weight: 20.5 lbs.
- EIA/ECA-310-E compliant



**NOTE: UNLESS OTHERWISE SPECIFIED**

1. Material:

- A. Top Rail: 6061-T6 Aluminum
- B. Base: 6061-T6 Aluminum
- C. Side Rails: 6063-T6 Aluminum

2. Surface Finish: Black Powder Coat