

Rear Cable Management Bracket Panel, 6-Pack

Package Includes

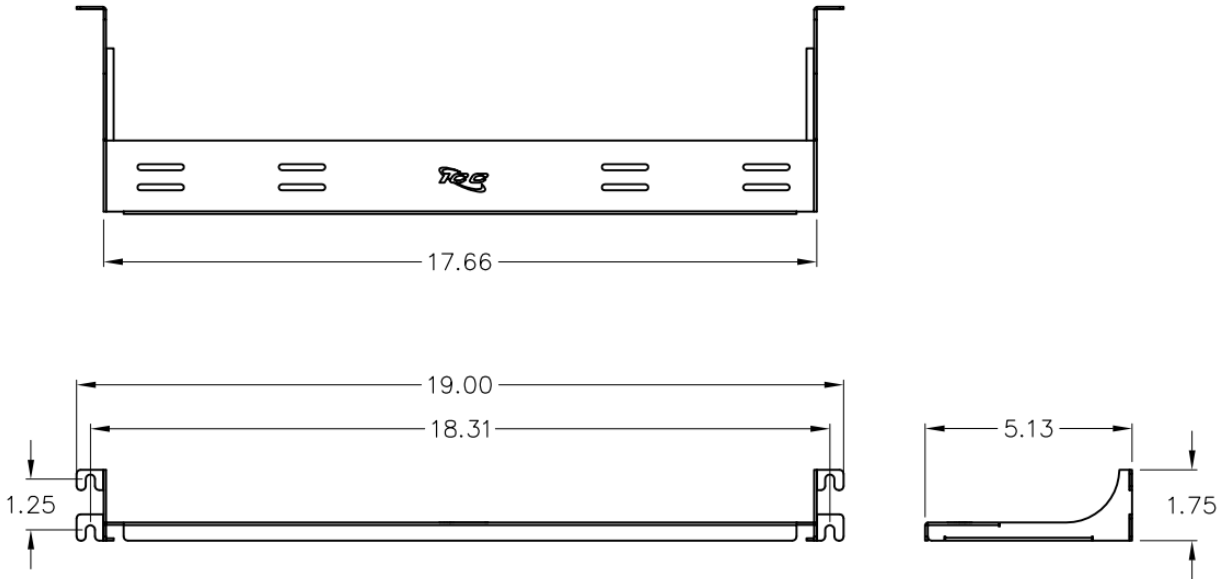
- A. Rear Bracket Cable Management Panel, 6 pcs.
- B. #12-24 x 5/8" Pan Head, Pilot Point Machine Screw, 24 pcs.



Features and Benefits

- No extra rack mount spaces (RMS) needed
- Rear panel extends out 5" deep
- Provides cable support in rear of patch panels and other equipment
- Integrated cable anchor points
- Facilitates cable bend radius
- Designed to fit all standard 19" wide racks
- Used with ICC's 2-post, 4-post distribution racks, cable management racks, wall mount racks and hinged brackets
- Integrated tie wrap supports along the panel helps maintain cable bundles in order

Specifications



NOTE: UNLESS OTHERWISE SPECIFIED
1. MATERIAL: 16 GA CRS
2. SURFACE FINISH: BLACK POWDER COAT

For warranty information, go online to icc.com/warranty.

Part No: ICCMSRCMC5 Rev: A

Part No.: ICCMSRCMC5
Rev: A
Page 2 of 2

| 888-ASK-4ICC | icc.com | csr@icc.com |

