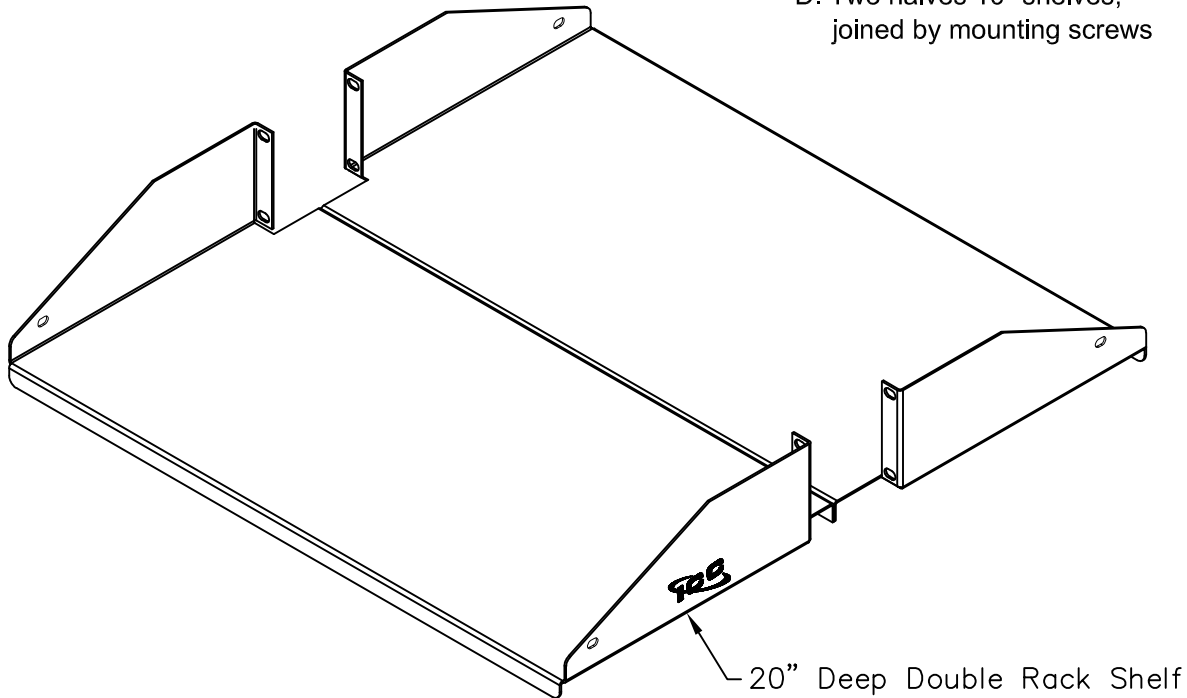


20" Deep Double Rack Shelf

PRODUCT SPECIFICATION


Package includes:

- A. 20" Deep Double Rack Shelf, 1 pc
- B. #12-24 x 5/8" Pan Head, Pilot Point Machine Screw, 8 pcs
- C. #10-32 x 3/8" Pan Head Machine Screw, 4 pcs
- D. Two halves 10" shelves, joined by mounting screws

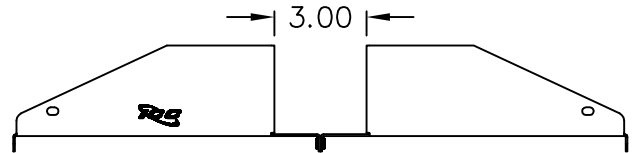
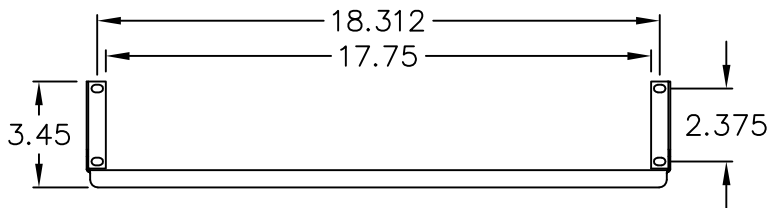
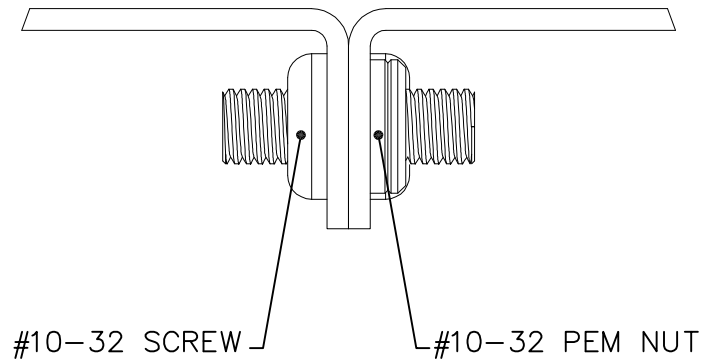
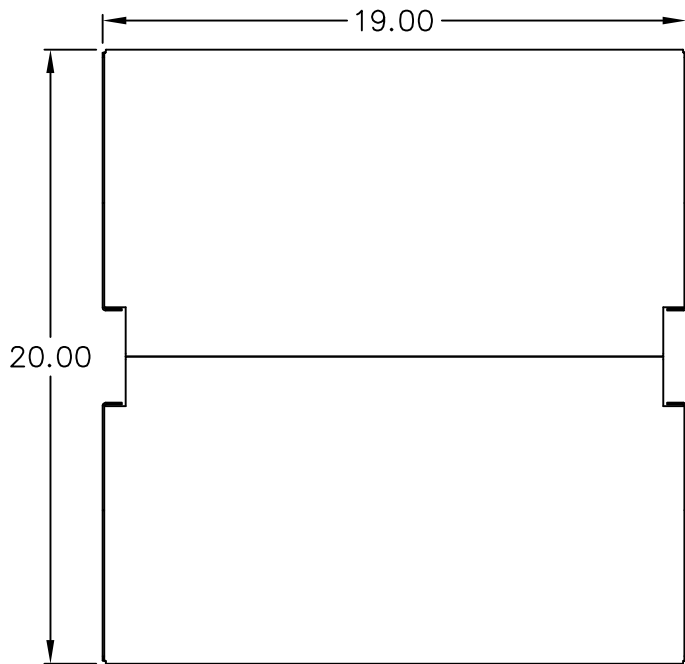


Features and Benefits:

- Designed with durable steel construction, black textured powder coated, supports bigger and heavier equipment up to 125 lbs. load capacity.
- Designed to fit all standard 19" racks and cabinets with 3" deep side rails.
- 2 rack mount space (RMS).
- Used with all ICCMSR19xx 2-Post Distribution Racks and ICCMSR4P84 4-Post Distribution Rack.


RACK SHELF, 20' DEEP DOUBLE, 2 RMS		 <i>PremiumProducts</i> <i>ProvenPerformance</i> <i>CompetitivePrices</i>	
ITEM NO.	ICCMSRDS20		REV. C
DWG NO.	PSCMSRDS20		PAGE NO. 1

CUSTOMER CARE / TECHNICAL SUPPORT * CSR@ICC.COM / 888-ASK-4-ICC (275-4422) * 14700 Alondra Blvd., La Mirada, CA 90638 * www.icc.com



NOTE: UNLESS OTHERWISE SPECIFIED

- 1. MATERIAL: 16 GA CRS
- 2. SURFACE FINISH: BLACK TEXTURED POWDER COAT

RACK SHELF, 20' DEEP DOUBLE, 2 RMS		 <i>Premium Products</i> <i>Proven Performance</i> <i>Competitive Prices</i>	
ITEM NO.	ICCMSRDS20		REV. C
DWG NO.	PSCMSRDS20	PAGE NO.	2

CUSTOMER CARE / TECHNICAL SUPPORT * CSR@ICC.COM / 888-ASK-4-ICC (275-4422) * 14700 Alondra Blvd., La Mirada, CA 90638 * www.icc.com