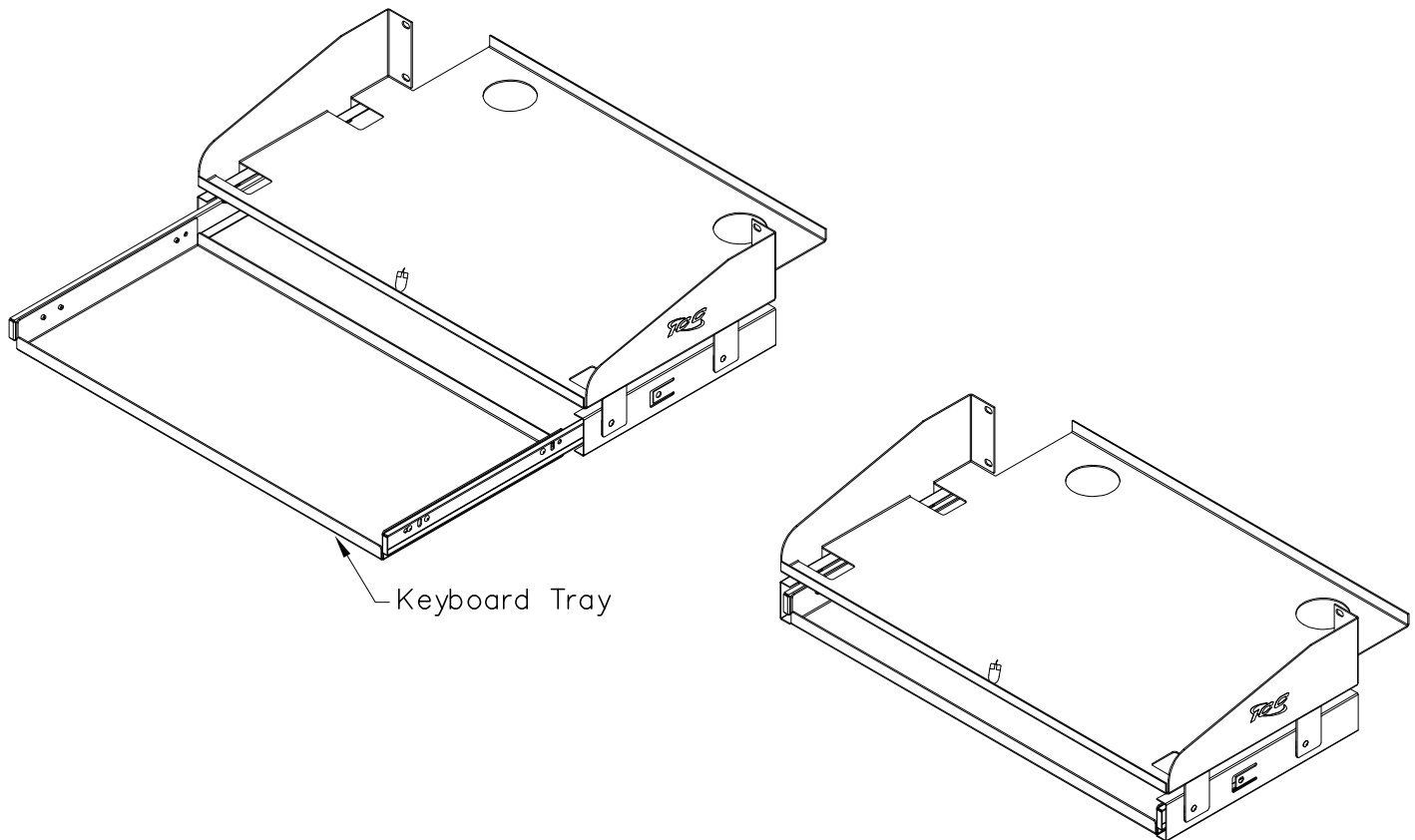


LCD MONITOR SHELF WITH SLIDING KEYBOARD TRAY

PRODUCT SPECIFICATION

Package includes:

- A. LCD Monitor Shelf w/ Sliding Keyboard Tray , 1 pc
- B. #12-24 x 5/8" Pan Head, Pilot Point Machine Screw, 4 pcs



Features and Benefits:

- Designed with steel construction, black powder coated, lightweight and sturdy.
- Supports LCD monitors with weight capacity of 25lbs. LCD monitor not to exceed 17" wide.
- Pull out keyboard tray with sliding mechanism
- Designed to fit 2-post and 4-post standard racks.
- 3 rack mount space (RMS).
- Used with all ICCMS distribution and cable management racks.

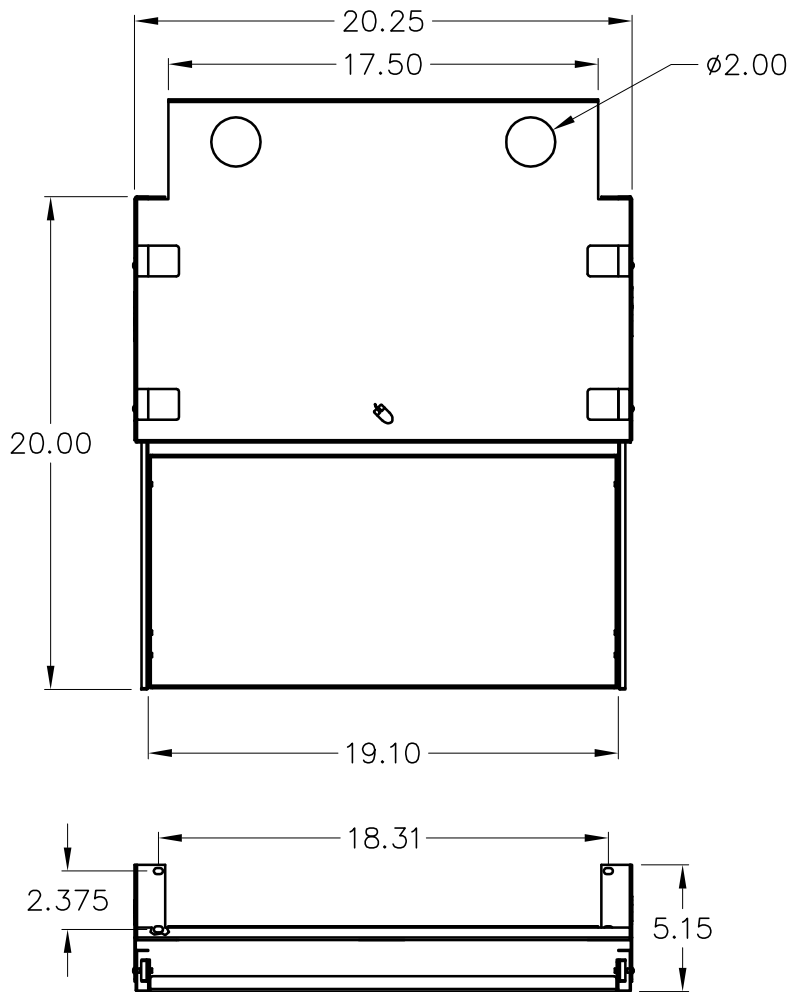
LCD MONITOR SHELF, SLIDING KEYBOARD TRAY

ITEM NO. ICCMSRKLST
DWG NO. PSCMSRKLST

REV. A
PAGE NO. 1



CUSTOMER CARE / TECHNICAL SUPPORT * CSR@ICC.COM / 888-ASK-4-ICC (275-4422) * 14700 Alondra Blvd., La Mirada, CA 90638 * www.icc.com



NOTE: UNLESS OTHERWISE SPECIFIED

1. MATERIAL:

A. RACK SHELF: 16 GA CRS

B. KEYBOARD TRAY: 16 GA CRS

2. SURFACE FINISH: BLACK POWDER COAT

3. TRAY USES BALL BEARING SLIDES, 10" SLIDE TRAVEL

LCD MONITOR SHELF, SLIDING KEYBOARD TRAY

ITEM NO. ICCMSRKLST

REV. A

DWG NO. PSCMSRKLST

PAGE NO. 2



CUSTOMER CARE / TECHNICAL SUPPORT * CSR@ICC.COM / 888-ASK-4-ICC (275-4422) * 14700 Alondra Blvd., La Mirada, CA 90638 * www.icc.com