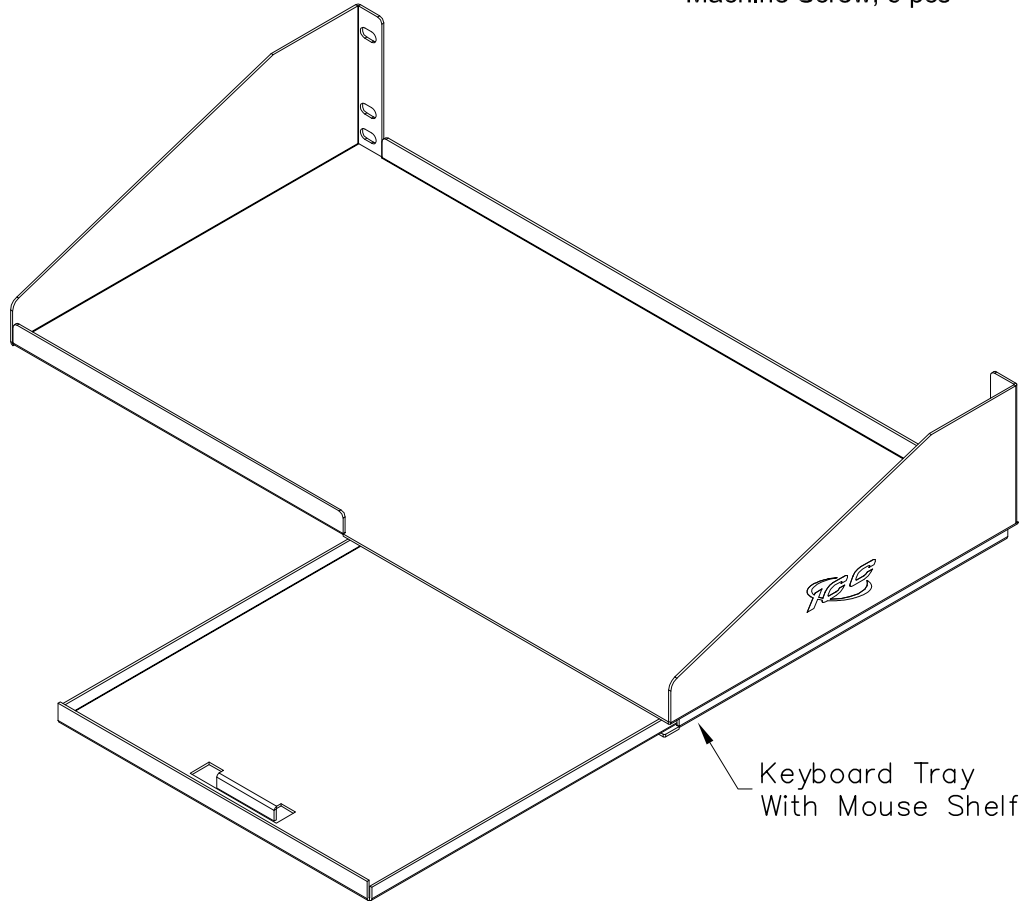


Keyboard Tray With Mouse Shelf

PRODUCT SPECIFICATION

Package includes:

- A. Keyboard Tray With Mouse Shelf, 1 pc
- B. #12-24 x 5/8" Pan Head, Pilot Point Machine Screw, 6 pcs



Features and Benefits:

- Designed with steel construction, black powder coated, lightweight and sturdy, comes with a built-in mouse tray which can slide out.
- Designed to fit all standard 19" racks and cabinets
- 3 rack mount space (RMS)
- Used with all ICCMS distribution and cable management racks

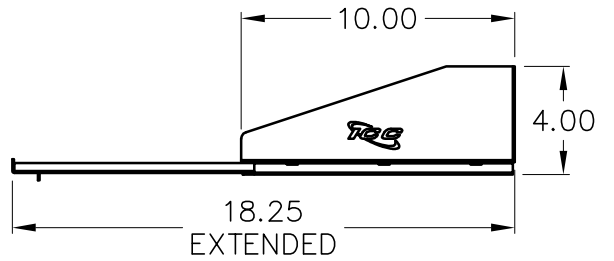
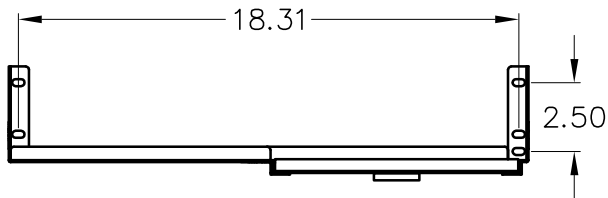
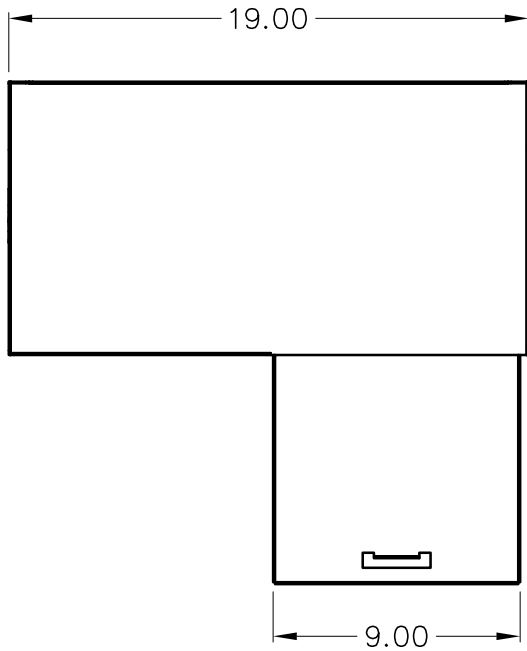
KEYBOARD SHELF WITH SLIDING MOUSE TRAY

ITEM NO.	ICCMSRKSMT
DWG NO.	PSCMSRKSMT

REV.	A
PAGE NO.	1



CUSTOMER CARE / TECHNICAL SUPPORT * CSR@ICC.COM / 888-ASK-4-ICC (275-4422) * 14700 Alondra Blvd., La Mirada, CA 90638 * www.icc.com



NOTE: UNLESS OTHERWISE SPECIFIED

1. MATERIAL:

A. RACK SHELF: 16 GA CRS

B. MOUSE TRAY: 16 GA CRS

2. SURFACE FINISH: BLACK POWDER COAT

3. LOAD CAPACITY: 10 LBS

KEYBOARD SHELF WITH SLIDING MOUSE TRAY

ITEM NO.	ICCMSRKSMT
DWG NO.	PSCMSRKSMT

REV.	A
PAGE NO.	2



CUSTOMER CARE / TECHNICAL SUPPORT * CSR@ICC.COM / 888-ASK-4-ICC (275-4422) * 14700 Alondra Blvd., La Mirada, CA 90638 * www.icc.com