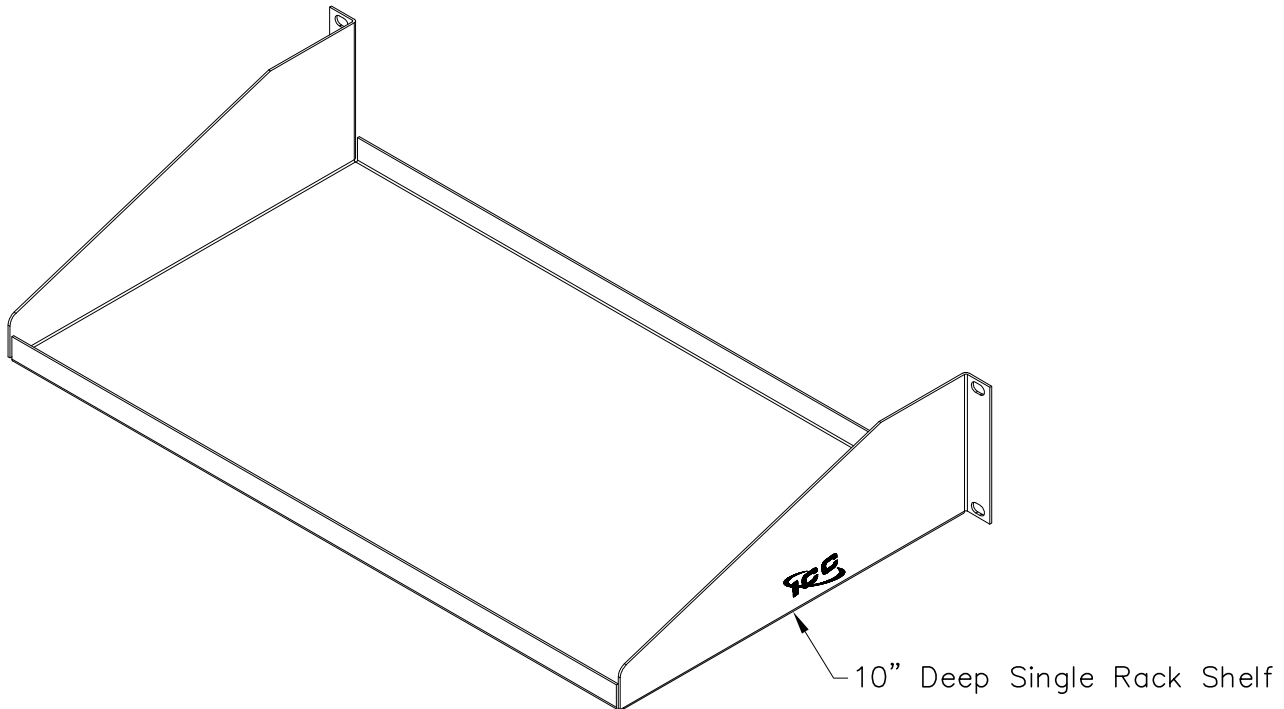


10" Deep Single Rack Shelf 2 Pk

PRODUCT SPECIFICATION


Package includes:

- A. 10" Deep Single Rack Shelf, 2 pcs
- B. #12-24 x 5/8" Pan Head, Pilot Point Machine Screw, 8 pcs

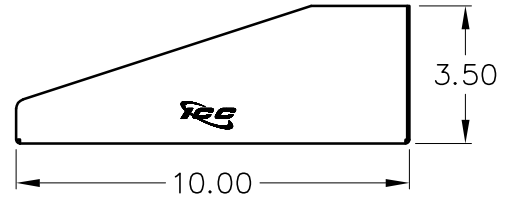
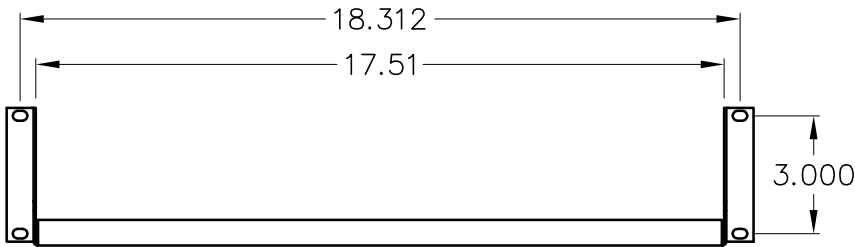
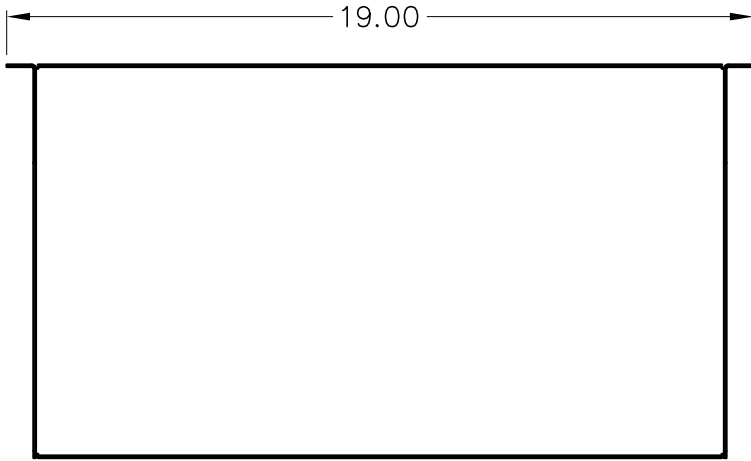


Features and Benefits:

- Designed with durable steel construction, black powder coated, accommodates bulky equipment and supports up to 75 lbs. load capacity
- Designed to fit all standard 19" racks and cabinets
- 2 rack mount space (RMS)
- Used with all ICCMS distribution and cable management racks


RACK SHELF, 10' DEEP, 2 RMS, 2 PK		 <i>PremiumProducts</i> <i>ProvenPerformance</i> <i>CompetitivePrices</i>	
ITEM NO.	ICCMSRSFC1		REV. A
DWG NO.	PSCMSRSFC1	PAGE NO.	1

CUSTOMER CARE / TECHNICAL SUPPORT * CSR@ICC.COM / 888-ASK-4-ICC (275-4422) * 14700 Alondra Blvd., La Mirada, CA 90638 * www.icc.com



NOTE: UNLESS OTHERWISE SPECIFIED

- 1. MATERIAL: 16 GA CRS
- 2. SURFACE FINISH: BLACK POWDER COAT

RACK SHELF, 10' DEEP, 2 RMS, 2 PK		 <i>Premium</i> Products Proven <i>Performance</i> Competitive <i>Prices</i>	
ITEM NO.	ICCMSRSFC1		REV. A
DWG NO.	PSCMSRSFC1	PAGE NO.	2

CUSTOMER CARE / TECHNICAL SUPPORT * CSR@ICC.COM / 888-ASK-4-ICC (275-4422) * 14700 Alondra Blvd., La Mirada, CA 90638 * www.icc.com