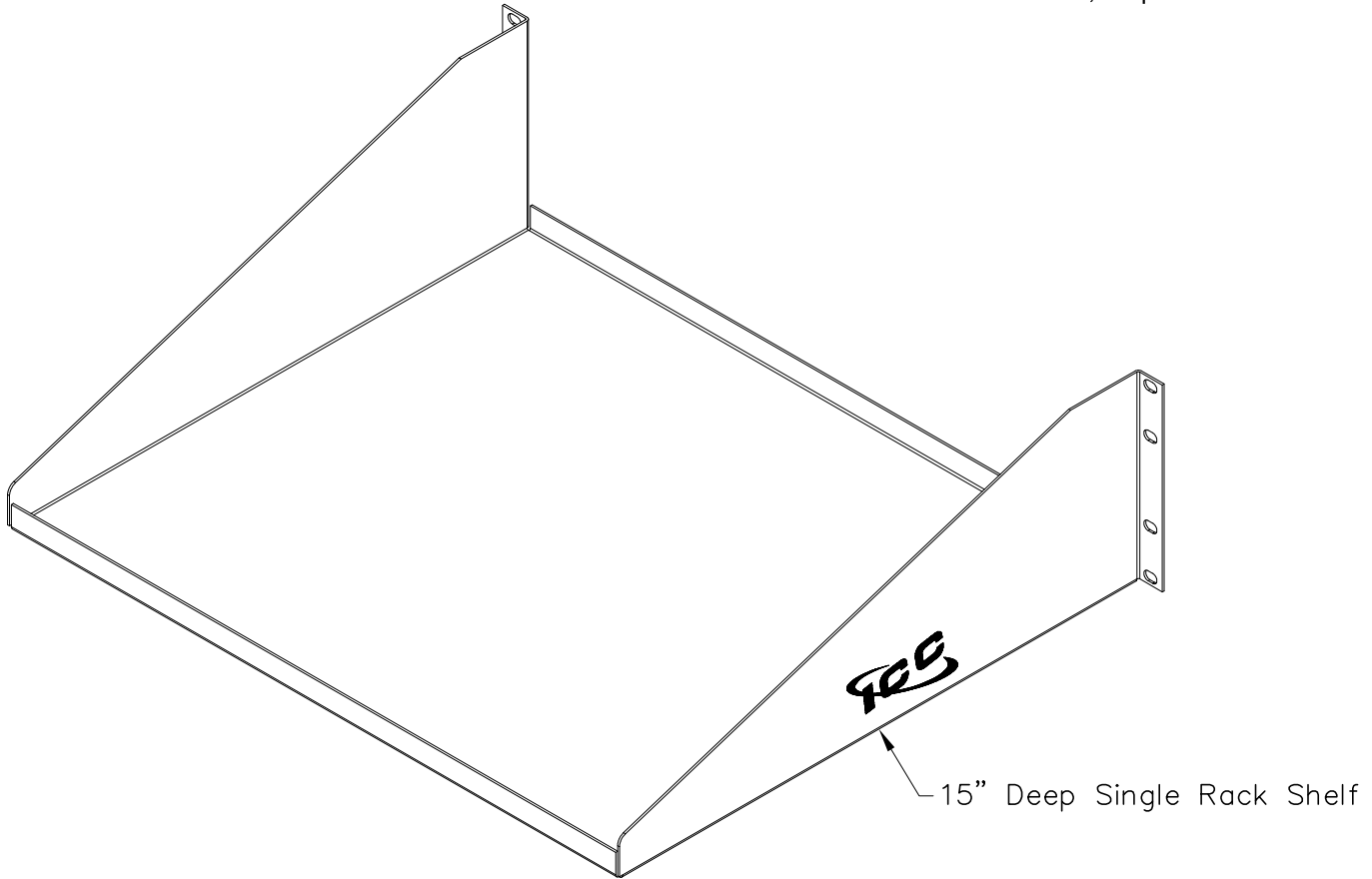


15" Deep Single Rack Shelf 2 Pk

PRODUCT SPECIFICATION

Package includes:

- A. 15" Deep Single Rack Shelf, 2 pcs
- B. #12-24 x 5/8" Pan Head, Pilot Point Machine Screw, 16 pcs



Features and Benefits:

- Designed with durable steel construction, black powder coated, accommodates bulky equipment with more depth capability and supports up to 75 lbs. load capacity
- Designed to fit all standard 19" racks and cabinets
- 3 rack mount space (RMS)
- Used with all ICCMS distribution and cable management racks

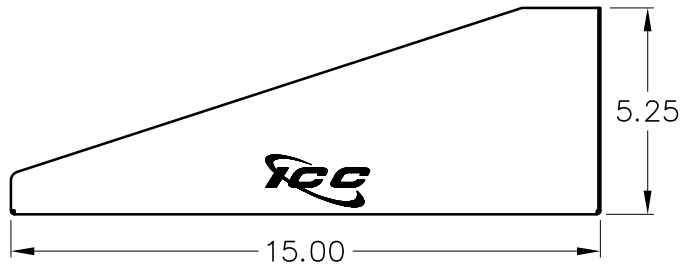
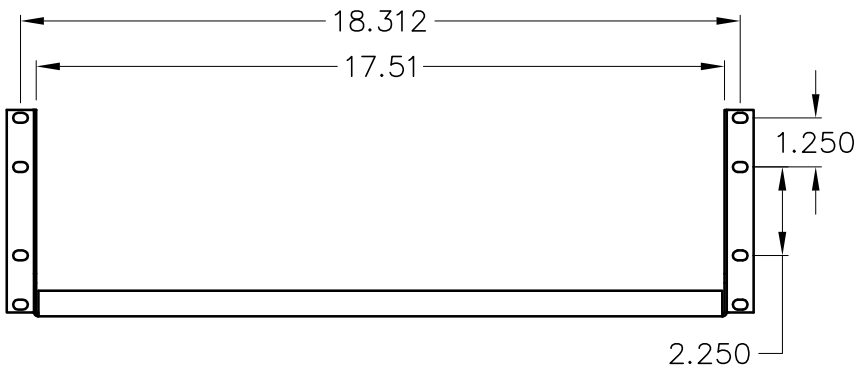
RACK SHELF, 15' DEEP, 3 RMS, 2 PK

ITEM NO.	ICCMSRSFC2
DWG NO.	PSCMSRSFC2

REV.	A
PAGE NO.	1




CUSTOMER CARE / TECHNICAL SUPPORT * CSR@ICC.COM / 888-ASK-4-ICC (275-4422) * 14700 Alondra Blvd., La Mirada, CA 90638 * www.icc.com



NOTE: UNLESS OTHERWISE SPECIFIED

1. MATERIAL: 16 GA CRS
2. SURFACE FINISH: BLACK POWDER COAT

RACK SHELF, 15' DEEP, 3 RMS, 2 PK		 Premium Products Proven Performance Competitive Prices
ITEM NO.	ICCMSRSFC2	
DWG NO.	PSCMSRSFC2	PAGE NO. 2

CUSTOMER CARE / TECHNICAL SUPPORT * CSR@ICC.COM / 888-ASK-4-ICC (275-4422) * 14700 Alondra Blvd., La Mirada, CA 90638 * www.icc.com