

Wall Mount Swing Frame Rack, 25 RMS

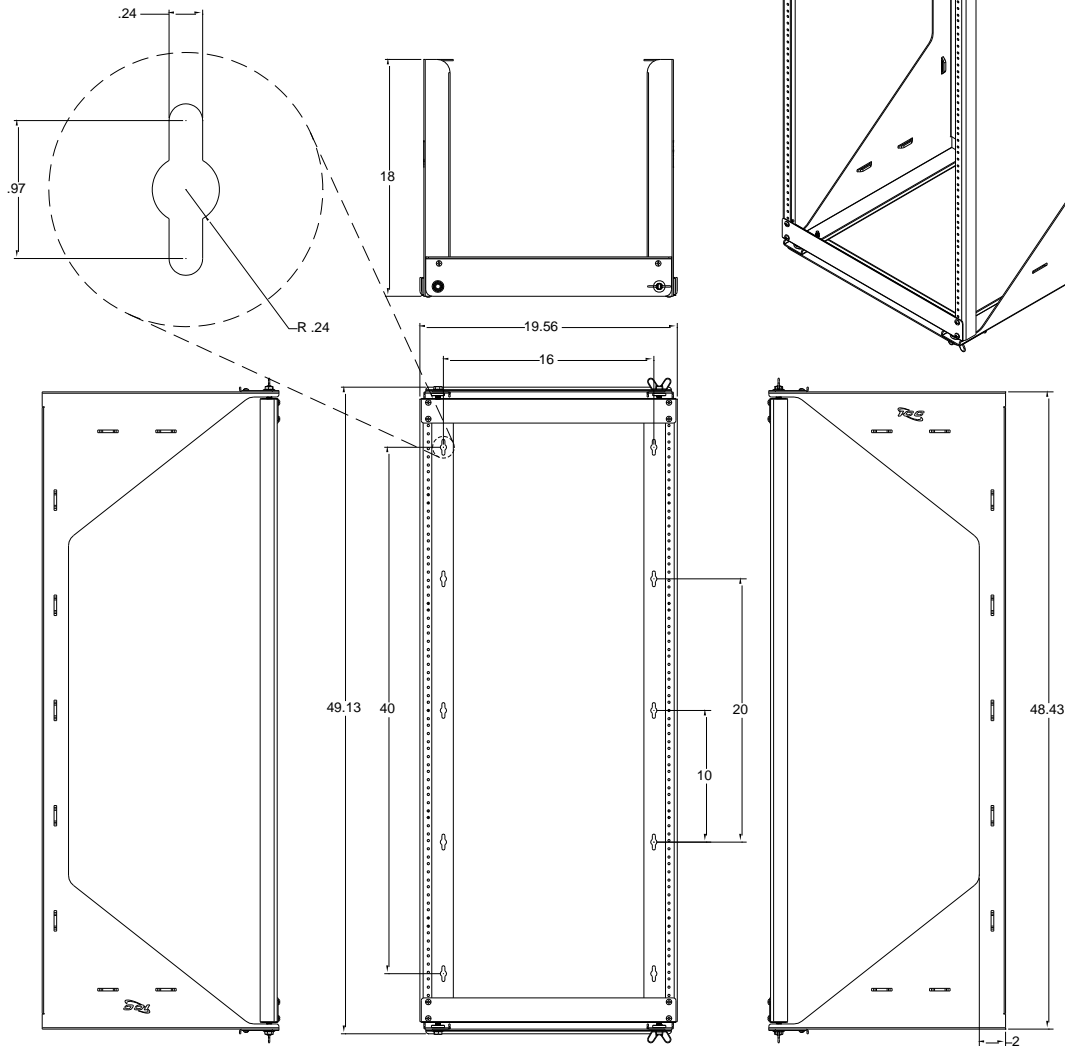


Package Includes:

- A. Arm & Frame Assembly, **1 Piece**
- B. Arm, **1 Piece**
- C. #12-24 x 5/8" Pan Head, Pilot Point Machine Screw, **4 Pieces**
- D. Wing Bolt, **2 Pieces**
- E. PVC Washer, **2 Pieces**
- F. Installation Instructions, **1 Sheet**

Features and Benefits

- Designed with black textured powder coated, durable steel construction
- Ideal for installing voice and data equipment such as patch panels, active components, and cable management products creating a neat structured and organized cabling systems
- Allow easy access during and after the installation and is ideal for installations with space limitations prohibiting the use of floor mount racks
- 25 Rack Mount Space (RMS) to support 85 pounds of equipment
- Reversible installations allows installers to swing the gate left or right after installation providing easy access to equipment
- Used with ICC rack mount products
- EIA/ECA-310-E compliant



NOTE: UNLESS OTHERWISE SPECIFIED

1. Material:

A. Main Body Assembly:

- Arms: 12 Gauge CRS
- Front Support Bracket: 16 Gauge CRS
- Top & Bottom Support: 12 Gauge CRS
- Side Rails: 11 Gauge CRS

2. Surface Finish: Black Textured Powder Coat

Part No: ICCMSSFR25

Rev: B

Page 2 of 2

| 888-ASK-4ICC | icc.com | csr@icc.com |

