

# Plexiglass Wall Mount Cabinet, 12U



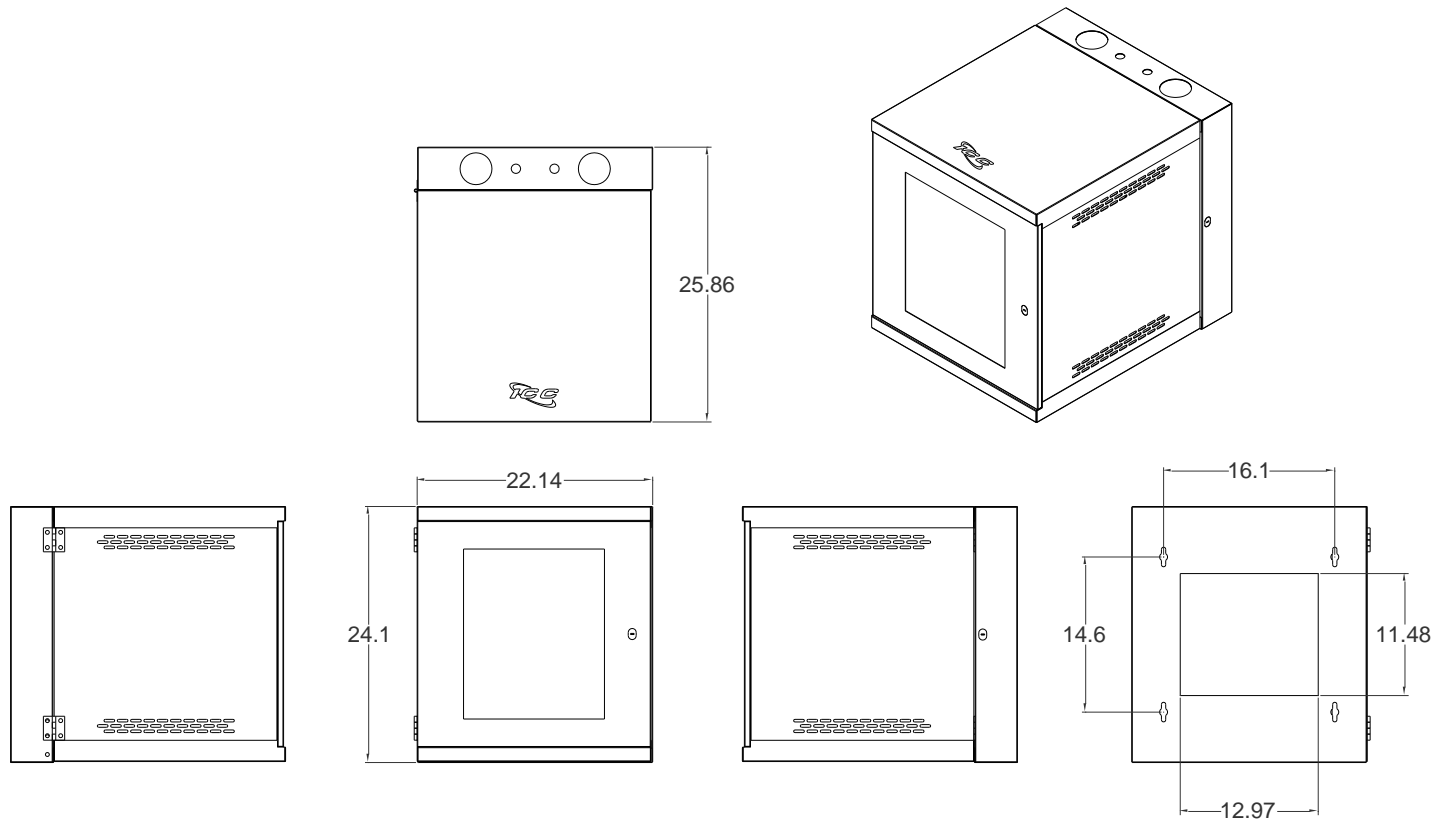
## Package Includes:

- A. Plexiglass Wall Mount Cabinet 12U, **1 Piece**
- B. Key, **2 Pieces**
- C. Installation Instructions, **1 Sheet**

## Features and Benefits

- EIA/ECA-310-E (revision of EIA-310-D) compliant
- Vented top and bottom side panels enables air circulations
- Plexiglass front door for visibility and aesthetic look
- Shatter resistance clear plexiglass front window
- Allow monitoring and troubleshooting with cabinet locked
- 24" useable depth for 19" wide equipment
- Supports up to 150 lbs. when properly secured
- 12 Rack Mount Spaces (RMS), heavy duty wall mountable enclosure cabinet
- Top and bottom knockouts for cable entry and exit: (4) 3.00" and (4) 0.88"
- Adjustable internal vertical mounting rails for depth management
- Front door is removable/reversible
- Lockable for added security
- Dual hinges wing unit provides access to rear equipment
- Fully assembled for quick installation
- EIA/ECA-310-E compliant

## Product Specification



### **NOTE: UNLESS OTHERWISE SPECIFIED**

1. Material: 16 GA (0.060 Thick)
2. Finish: ROHM and HASS, 10-7011 Epoxy Flat Black, 4 to 6% Glass Black Powder Coat
3. Plexiglass Material: Polycarbonate