

Vertical Wall Mount Utility, 5 RMS



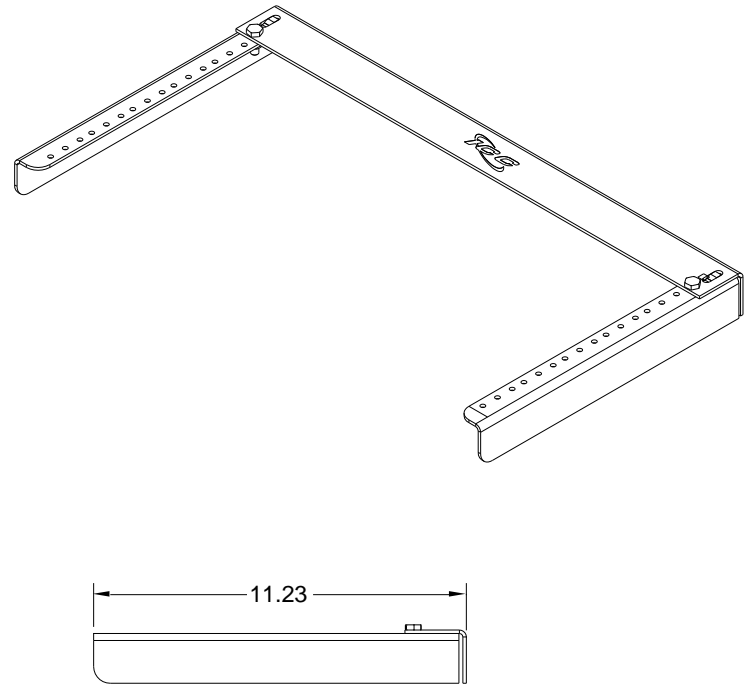
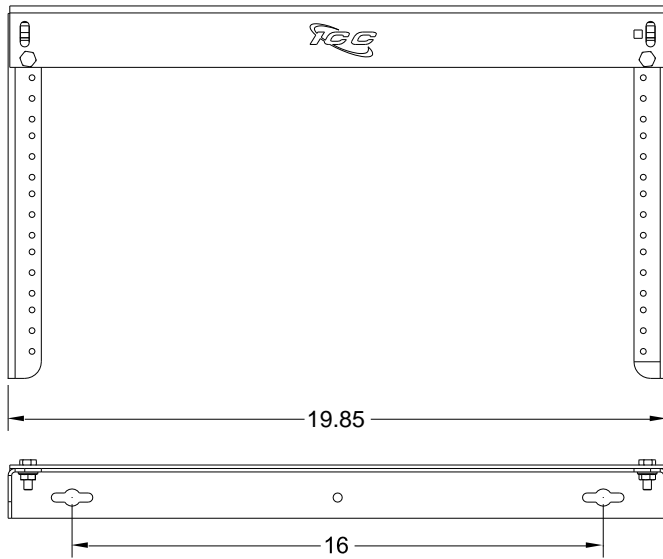
Package Includes:

- A. Vertical Wall Mount Utility Rack, **1 Piece**
- B. Installation Instructions, **1 Sheet**

Features and Benefits

- Designed with black textured powder coated, durable steel construction
- Accommodates virtually all standard 19" rack mount products regardless of their depth and is w for areas where floor or wall space is at a premium
- 5 Rack Mount Space (RMS) to support 75 pounds of equipment
- Used with ICC rack mount products.
- EIA/ECA-310-E compliant

Product Specification



NOTE: UNLESS OTHERWISE SPECIFIED

1. Material: 12 Gauge CRS
2. Surface Finish: Black Textured Powder Coat