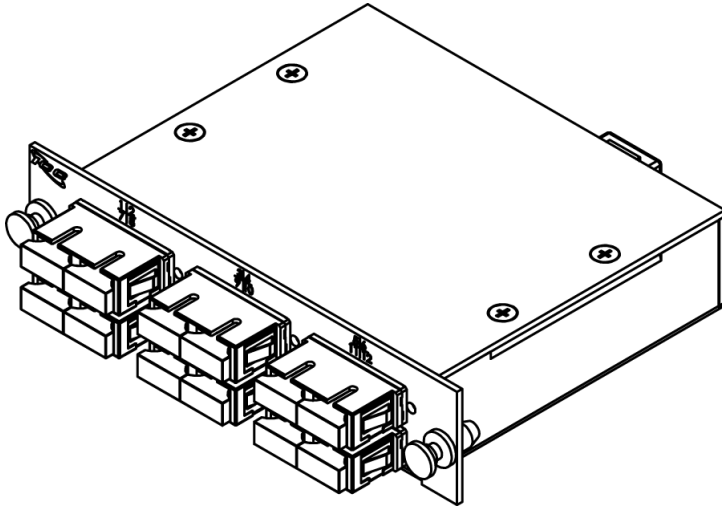


LGX Cassette SC/MPO, 12F, OM2, 50/125

Package Includes:

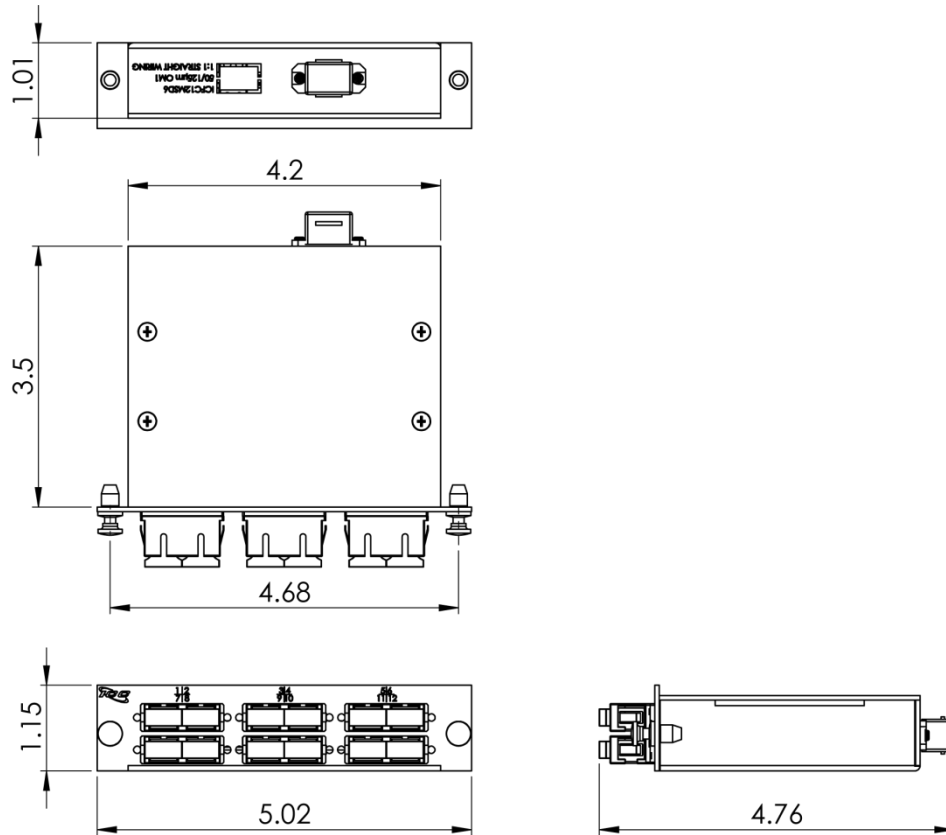
A. SC-Duplex MPO Cassette, **1 Piece**

B. Dust Caps, **13 Pieces**



Features and Benefits

- High Quality 16GA CRS material allows for compact and durable cassettes.
- 12-Fiber, OM2, Multimode, 50/125
- 12 SC port to 1 MPO port
- Cassette offers a plug and play solution which saves assembly and termination time.
- MPO connector reduces insertion loss which enhances channel link performance.
- MPO ports are equipped with Male MPO connectors to work with standard MPO female cable assembly.
- Suitable for any applications with a need for higher bandwidth with longer distances.
- Wiring is 1:1
- Available in black
- Compatible with all LGX® Fiber Enclosures and Patch



NOTE: UNLESS OTHERWISE SPECIFIED

- **Cassette Housing:**
 - Material: 16GA CRS
 - Color: Powder Coat Black
- **SC-Quad Adapter:**
 - Material: ABS
 - Color: Beige
 - Sleeve: Metal
- **MPO Male Adapter:**
 - Material Polybutylene Terephthalate (PBT)
 - Color: Black
 - Mating Cycles: 1000 Mating cycles
 - Dust Cap: TPP
 - Color: Black
- **Cable Type:**
 - OM2, MM, 50/125µm

12	AQUA	12
11	ROSE	11
10	VIOLET	10
9	YELLOW	9
8	BLACK	8
7	RED	7
6	WHITE	6
5	SLATE	5
4	BROWN	4
3	GREEN	3
2	ORANGE	2
1	BLUE	1
SC	FIBER COLOR	MPO
WIRE CONNECTION TABLE		