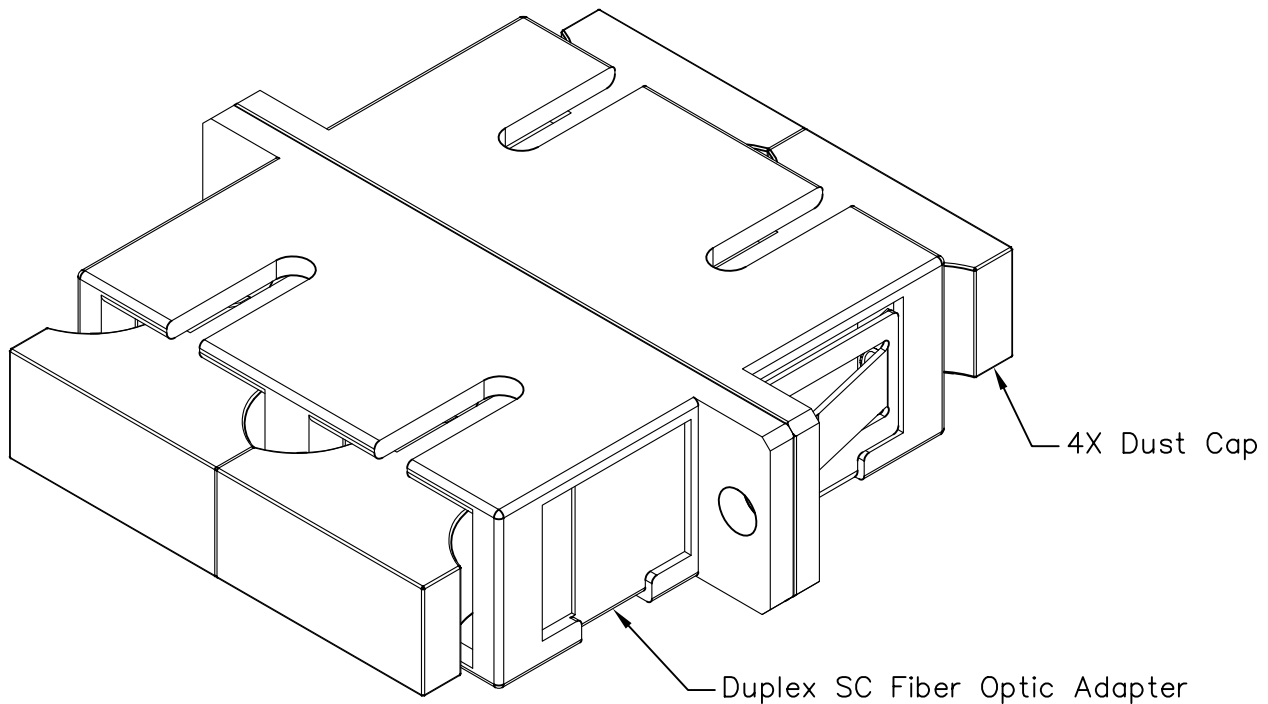


# Duplex SC Fiber Optic Adapter (Metal Sleeve)

## PRODUCT SPECIFICATION


### Package includes:

- A. Duplex SC Fiber Optic Adapter, 1 pc
- B. Dust Cap, 4 pcs

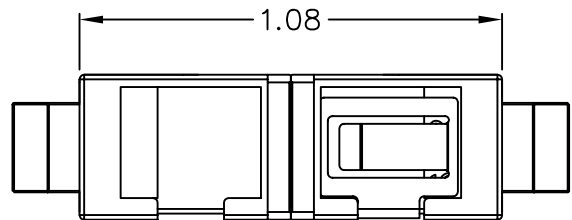
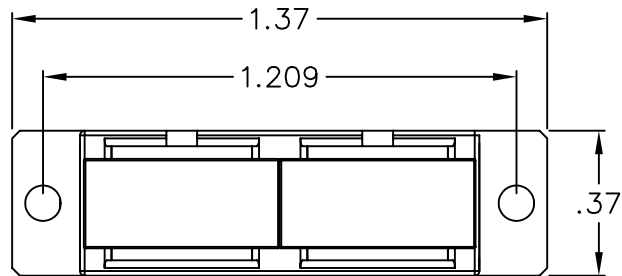
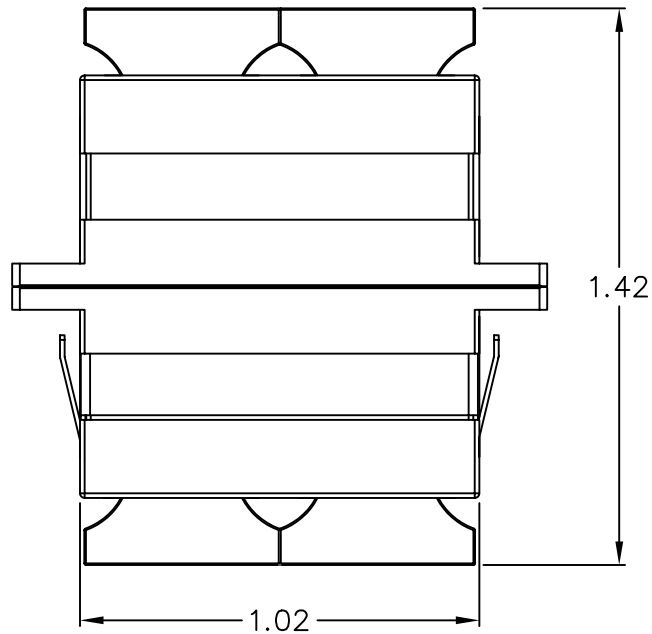


### Features and Benefits:

- Viable solution for high speed data transmission and broadband internet
- Designed to allow customization of ICFOPC16BK SC adapter panel and ICFORPPAC1 SC patch panel

<b>ADAPTER, DUPLEX SC, METAL</b>		 <i>PremiumProducts</i> <i>ProvenPerformance</i> <i>CompetitivePrices</i>	
ITEM NO.	ICFOA8MM02	REV.	A
DWG NO.	PSFOA8MM02	PAGE NO.	1

CUSTOMER CARE / TECHNICAL SUPPORT \* CSR@ICC.COM / 888-ASK-4-ICC (275-4422) \* 14700 Alondra Blvd., La Mirada, CA 90638 \* www.icc.com




**NOTE: UNLESS OTHERWISE SPECIFIED**

1. MATERIAL:

- A. ADAPTER BODY: PLASTIC
- B. SLEEVE: PHOSPHOR BRONZE
- C. HOLDER: STAINLESS STEEL
- D. DUST CAP: PLASTIC

2. COLOR:

- A. ADAPTER BODY: BLUE
- B. DUST CAP: BLACK

<b>ADAPTER, DUPLEX SC, METAL</b>		 <i>PremiumProducts</i> <i>ProvenPerformance</i> <i>CompetitivePrices</i>
ITEM NO.	ICFOA8MM02	
DWG NO.	PSFOA8MM02	PAGE NO. 2

CUSTOMER CARE / TECHNICAL SUPPORT \* CSR@ICC.COM / 888-ASK-4-ICC (275-4422) \* 14700 Alondra Blvd., La Mirada, CA 90638 \* www.icc.com