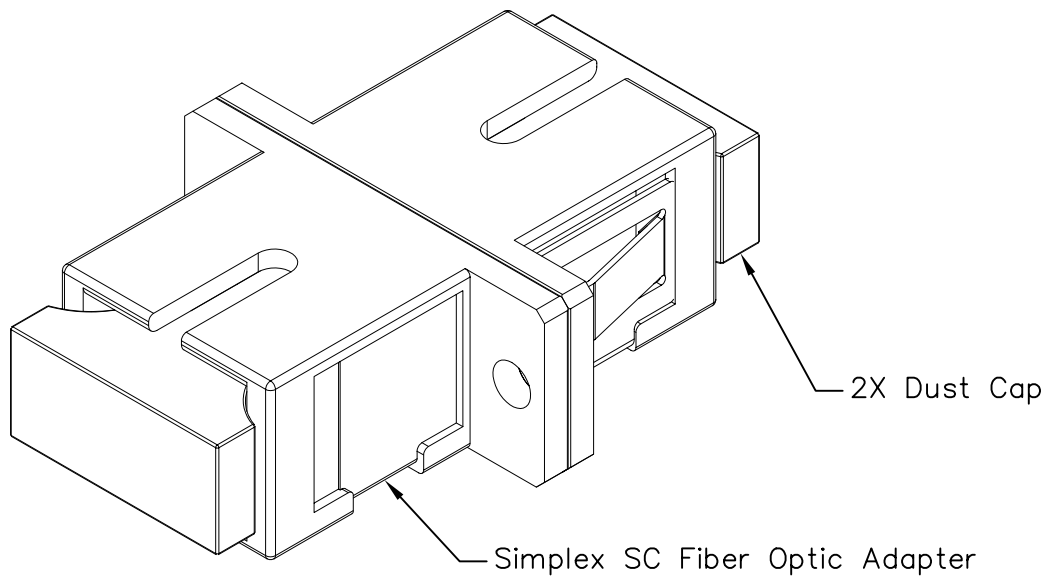


Simplex SC Fiber Optic Adapter (Ceramic Sleeve)

PRODUCT SPECIFICATION


Package includes:

- A. Simplex SC Fiber Optic Adapter, 1 pc
- B. Dust Cap, 2 pcs

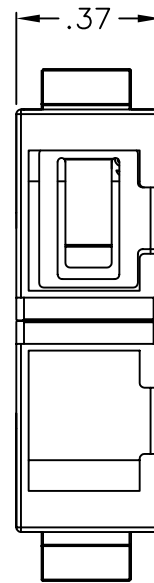
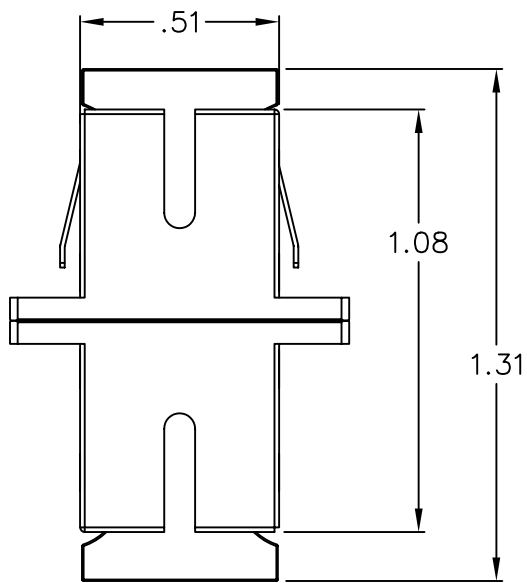
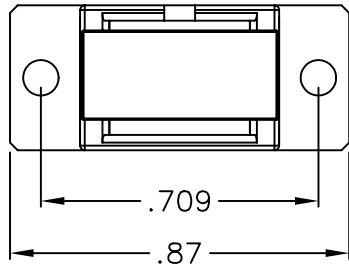


Features and Benefits:

- Viable solution for high speed data transmission and broadband internet
- Designed to allow customization of ICFOPS26BK SC adapter panel and ICFORPPAS2 SC patch panel

ADAPTER, SIMPLEX SC, CERAMIC		 <i>PremiumProducts</i> <i>ProvenPerformance</i> <i>CompetitivePrices</i>	
ITEM NO.	ICFOA8SM01	REV.	A
DWG NO.	PSFOA8SM01	PAGE NO.	1

CUSTOMER CARE / TECHNICAL SUPPORT * CSR@ICC.COM / 888-ASK-4-ICC (275-4422) * 14700 Alondra Blvd., La Mirada, CA 90638 * www.icc.com




NOTE: UNLESS OTHERWISE SPECIFIED

1. MATERIAL:

- A. ADAPTER BODY: PLASTIC
- B. SLEEVE: ZIRCONIA
- C. HOLDER: STAINLESS STEEL
- D. DUST CAP: PLASTIC

2. COLOR:

- A. ADAPTER BODY: BLUE
- B. DUST CAP: YELLOW

ADAPTER, SIMPLEX SC, CERAMIC		 <i>PremiumProducts</i> <i>ProvenPerformance</i> <i>CompetitivePrices</i>
ITEM NO.	ICFOA8SM01	
DWG NO.	PSFOA8SM01	PAGE NO. 2

CUSTOMER CARE / TECHNICAL SUPPORT * CSR@ICC.COM / 888-ASK-4-ICC (275-4422) * 14700 Alondra Blvd., La Mirada, CA 90638 * www.icc.com