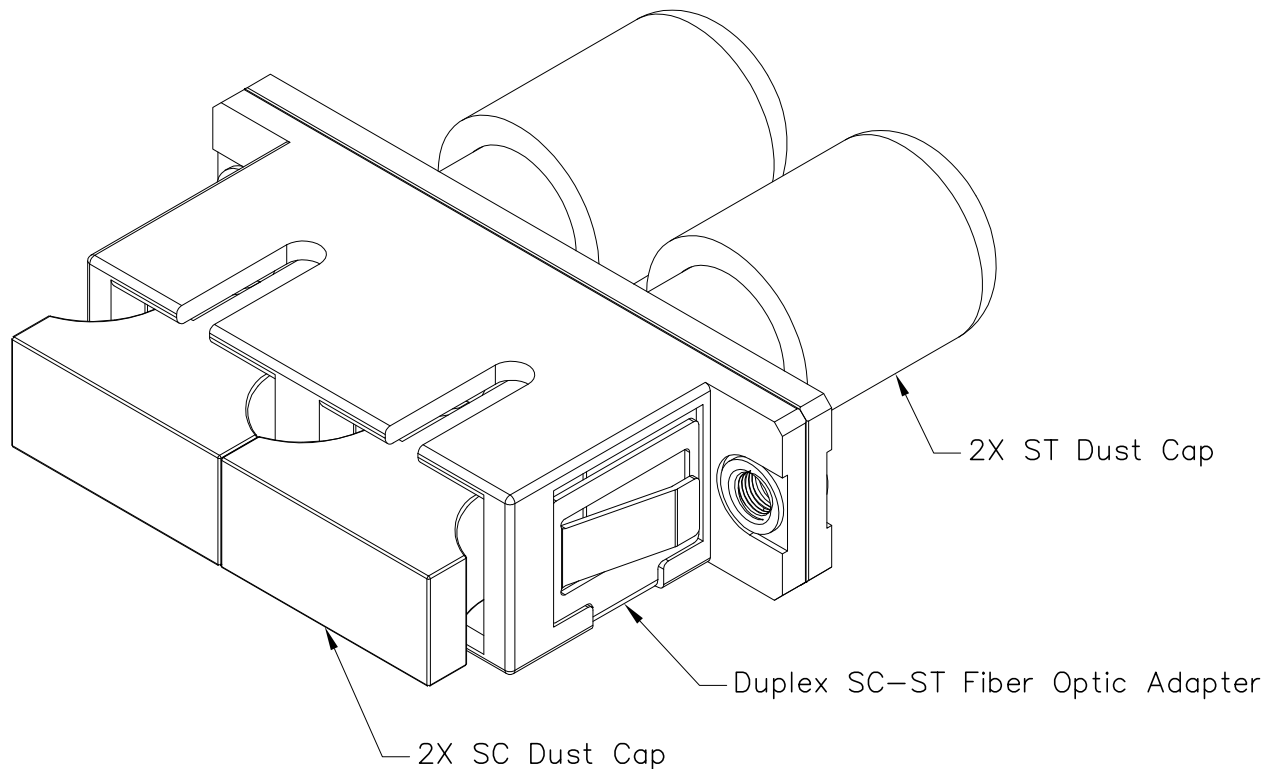


Duplex SC-ST Fiber Optic Adapter (Ceramic Sleeve)

PRODUCT SPECIFICATION

Package includes:

- A. Duplex SC-ST Fiber Optic Adapter, 1 pc
- B. SC Dust Cap, 2 pcs
- C. ST Dust Cap, 2 pcs



Features and Benefits:

- Viable solution for high speed data transmission and broadband internet
- Used to join duplex singlemode or multimode fiber optic jumpers

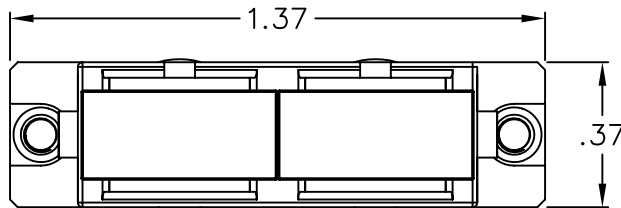
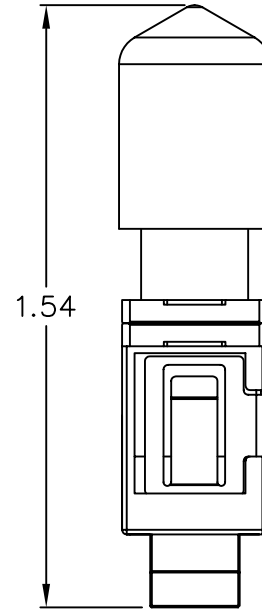
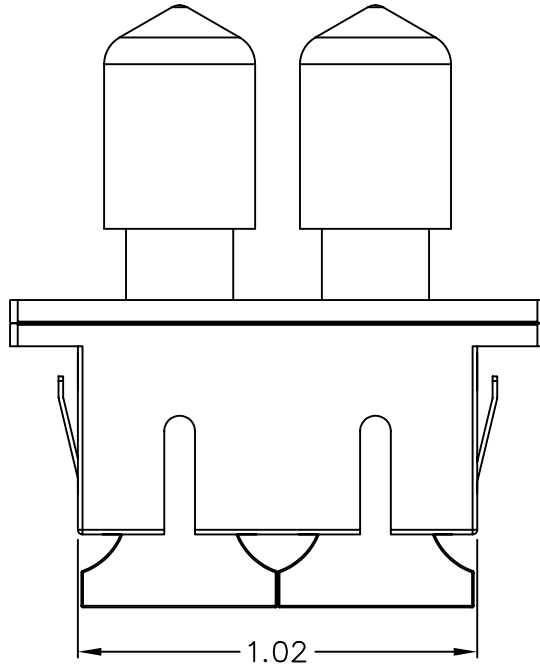
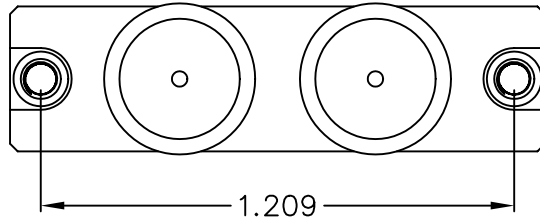
ADAPTER, DUPLEX SC-ST, CERAMIC

ITEM NO.	ICFOA9SM02
DWG NO.	PSFOA9SM02

REV.	A
PAGE NO.	1



CUSTOMER CARE / TECHNICAL SUPPORT * CSR@ICC.COM / 888-ASK-4-ICC (275-4422) * 14700 Alondra Blvd., La Mirada, CA 90638 * www.icc.com




NOTE: UNLESS OTHERWISE SPECIFIED

1. MATERIAL:

- A. ADAPTER BODY: NICKEL PLATED ZINC ALLOY
- B. SLEEVE: ZIRCONIA
- C. HOLDER: STAINLESS STEEL
- D. SC DUST CAP: PLASTIC
- E. ST DUST CAP: RUBBER

2. COLOR:

- A. SC DUST CAP: YELLOW
- B. ST DUST CAP: YELLOW

ADAPTER, DUPLEX SC-ST, CERAMIC		 <i>PremiumProducts</i> <i>ProvenPerformance</i> <i>CompetitivePrices</i>
ITEM NO.	ICFOA9SM02	
DWG NO.	PSFOA9SM02	PAGE NO. 2

CUSTOMER CARE / TECHNICAL SUPPORT * CSR@ICC.COM / 888-ASK-4-ICC (275-4422) * 14700 Alondra Blvd., La Mirada, CA 90638 * www.icc.com