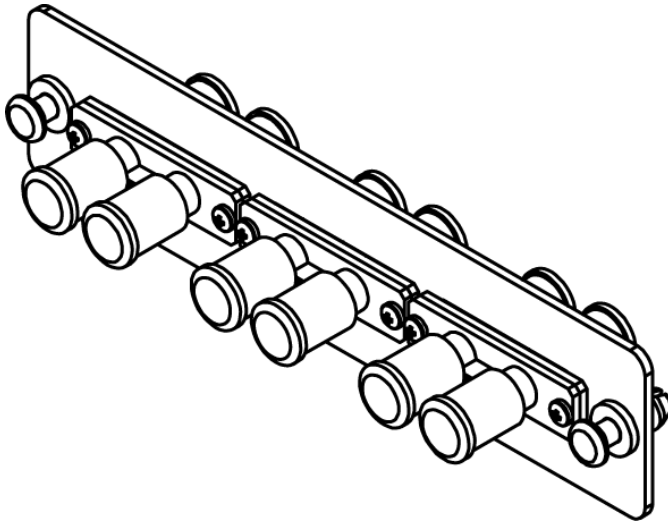


LGX Adapter Panel, 3 Duplex ST, 6F, Blue, SM

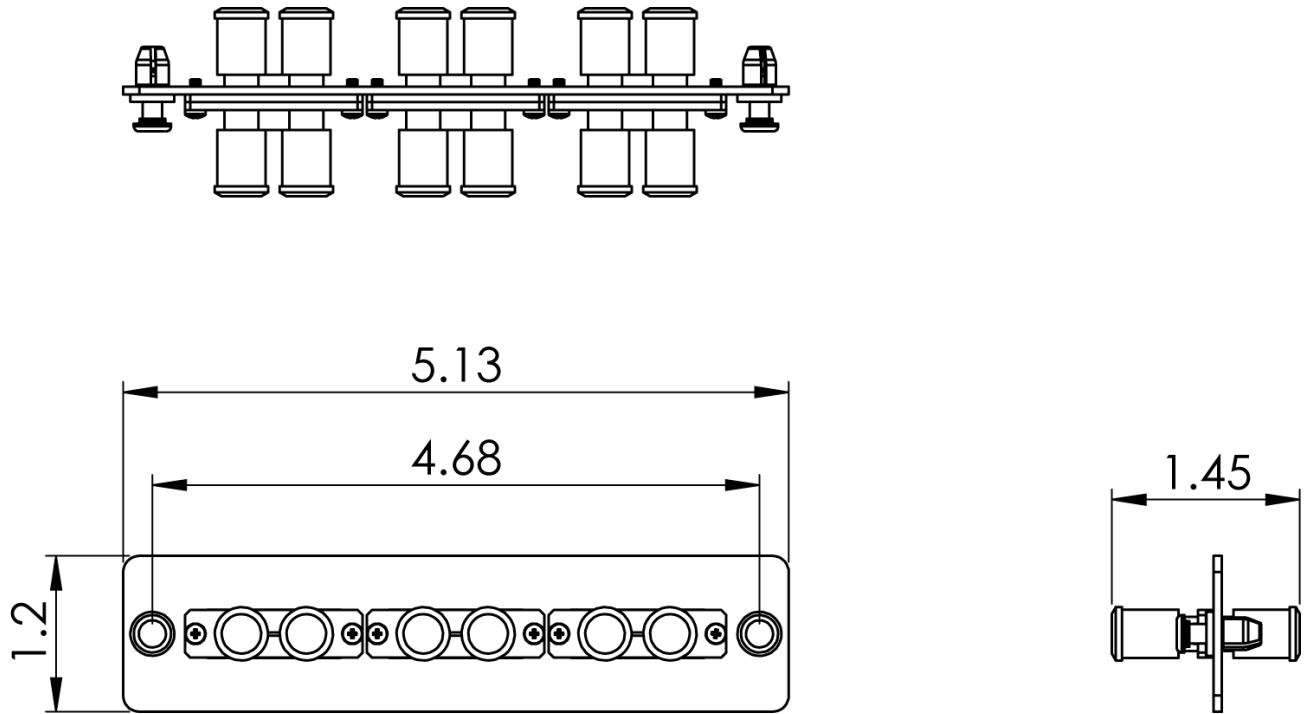


Package Include:

- A. Adapter Panel, **1 Piece.**
- B. Duplex ST Adapter, **3 Pieces.**
- C. Dust Caps, **12 Pieces.**

Features and Benefits

- Push pins provide a secure, snug fit and tool-less installation
- Designed to fit ICFORP1RM Blank Fiber Optic Patch Panel, ICFOR Fiber Optic Rack Mount Enclosures, and ICFODE41WM Wall Mount Fiber Optic Enclosure
- Compatible with SC Singlemode fiber (SMF) assemblies
- LGX® Compatible



Specifications

- Patch Panel
 - Material: 16 GA CRS
 - Finishing: Texture Black Powder Coat
- ST Duplex Adapter
 - Material: ABS
 - Color: Blue
 - Sleeve: Ceramic