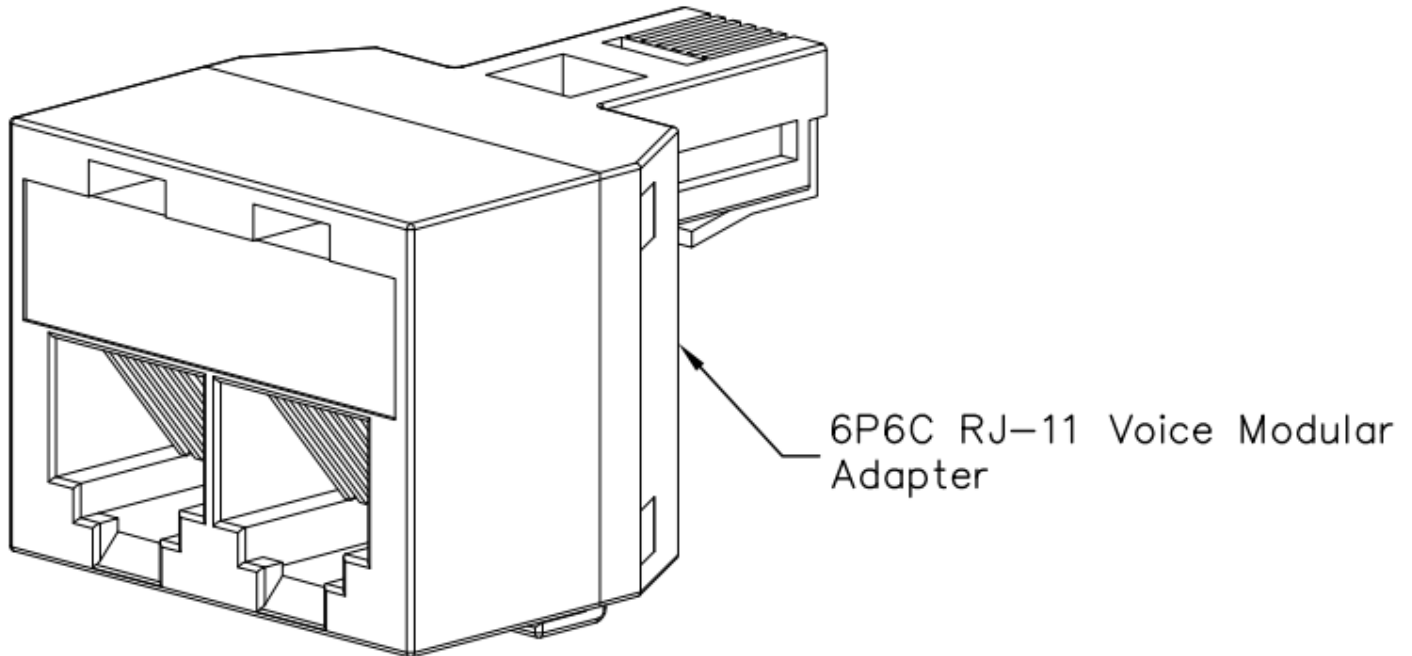


6P6C RJ-11 Voice Modular Adapter, PIN 1-1

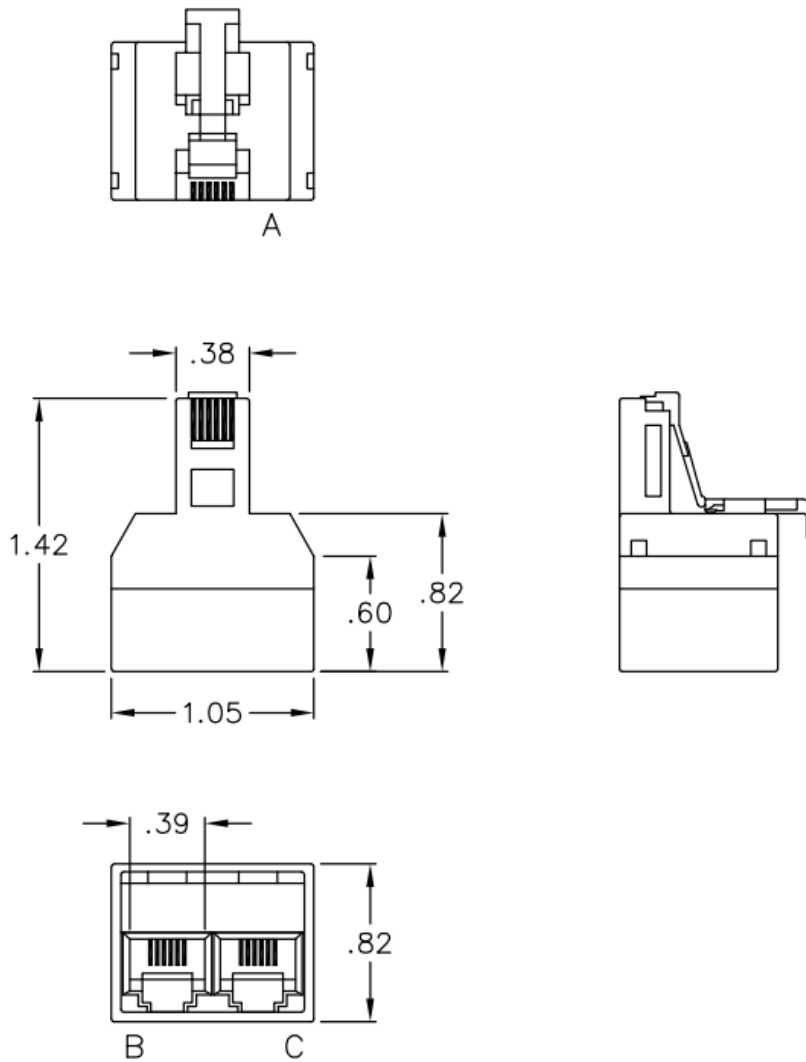
Package Includes:

- A. 6P6C RJ-11 Voice Modular Adapter, 1 PC



Features and Benefits

- Connects two line cords to a single modular jack
- Provides connection for two 6-position, 6-conductor line cords wired to a single 6-position, 6-conductor modular plug
- Available in ivory
- ANSI/TIA-568-C and UL 1863 compliant
- Country Of Origin: Taiwan
- TAA Compliant



WIRING DIAGRAM :

6 CONDUCTORS		
JACK A	JACK B	JACK C
1	1	1
2	2	2
3	3	3
4	4	4
5	5	5
6	6	6

NOTE: UNLESS OTHERWISE SPECIFIED

1. MATERIAL & FINISH:

- A. HOUSING: ABS, UL 94V-0
- B. COLOR: IVORY
- C. CONTACT: .45mm DIAMTER PHOSPHOR BRONZE GOLD PLATING OVER 100 MICRO INCH NICKLE
- D. GOLD PLATING: 1.27 MICRON/50 MICRO INCH MIN
- E. CONDUCTOR: 26 AWG, STRANDED