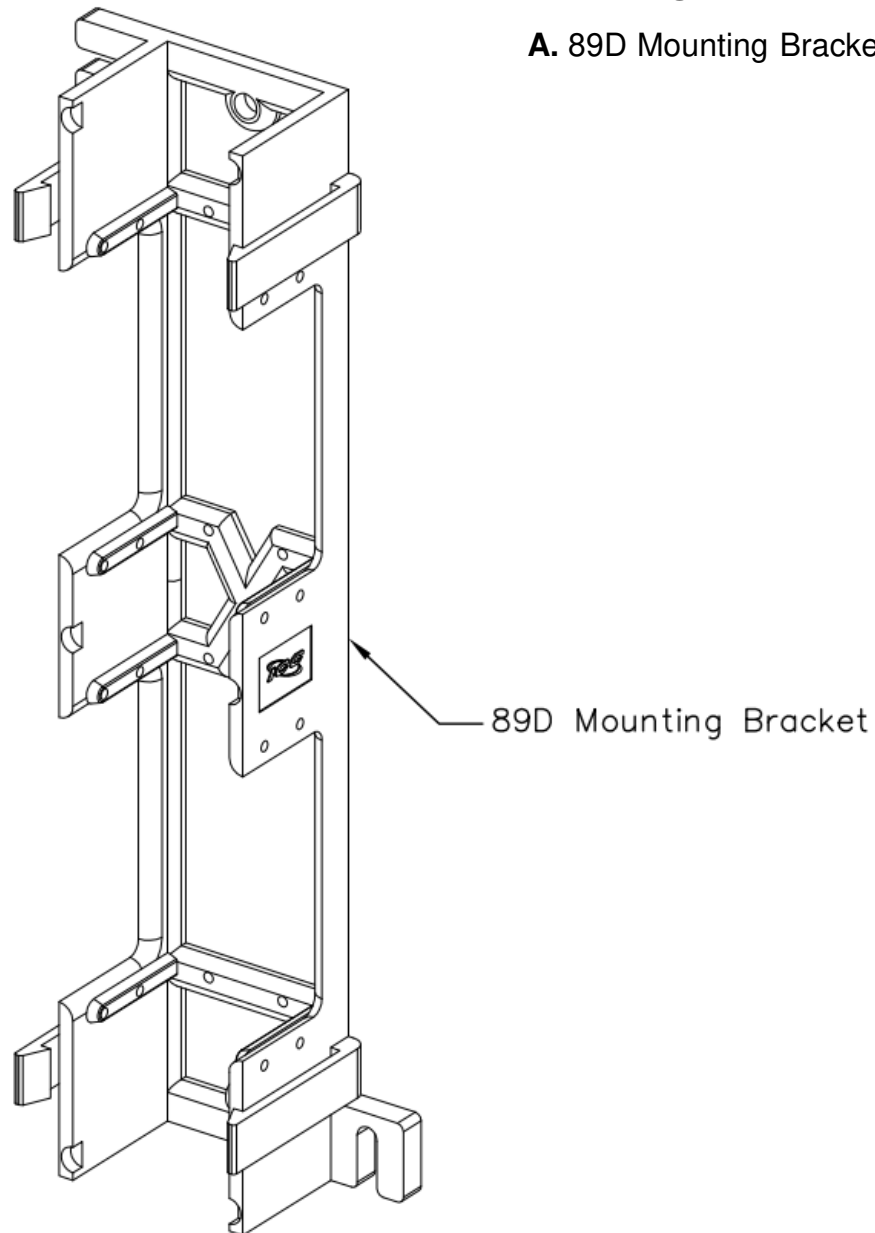


89D Mounting Bracket

Package Includes:

A. 89D Mounting Bracket, 1 PC



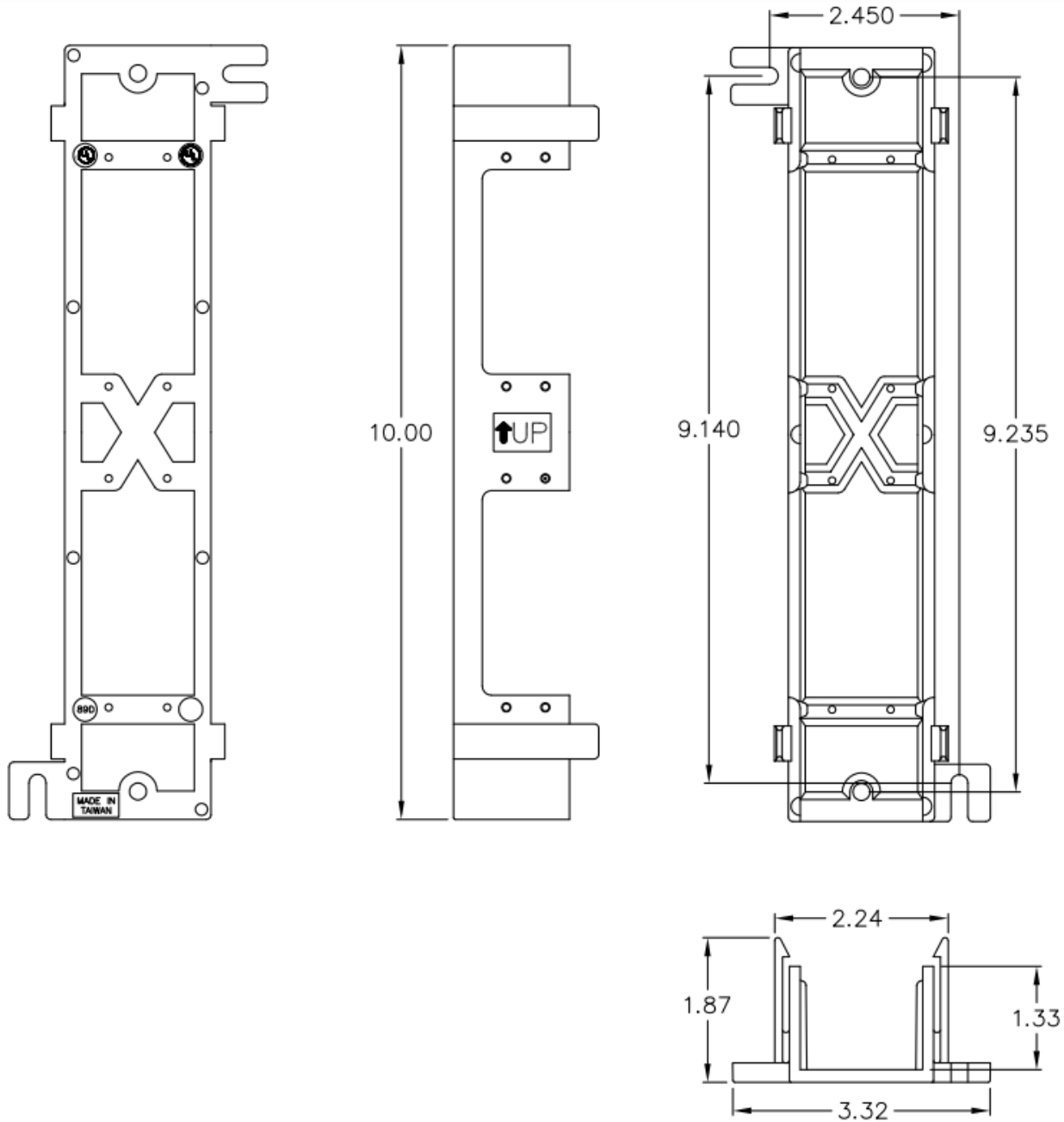
Features and Benefits

- Designed for wall mounting
- Used with ICMPP USOC vertical patch panels, IC107 vertical blank patch panels, and IC066NB050 66 wiring block
- ANSI/TIA-568-C and UL 1863 compliant
- Country Of Origin: Taiwan
- TAA Compliant

Part No: ICMB89D0WH
Rev: A
Page 1 of 2

| 888-ASK-4ICC | icc.com | csr@icc.com |





NOTE: UNLESS OTHERWISE SPECIFIED

1. MATERIAL: ABS, UL 94V-2
2. COLOR: WHITE