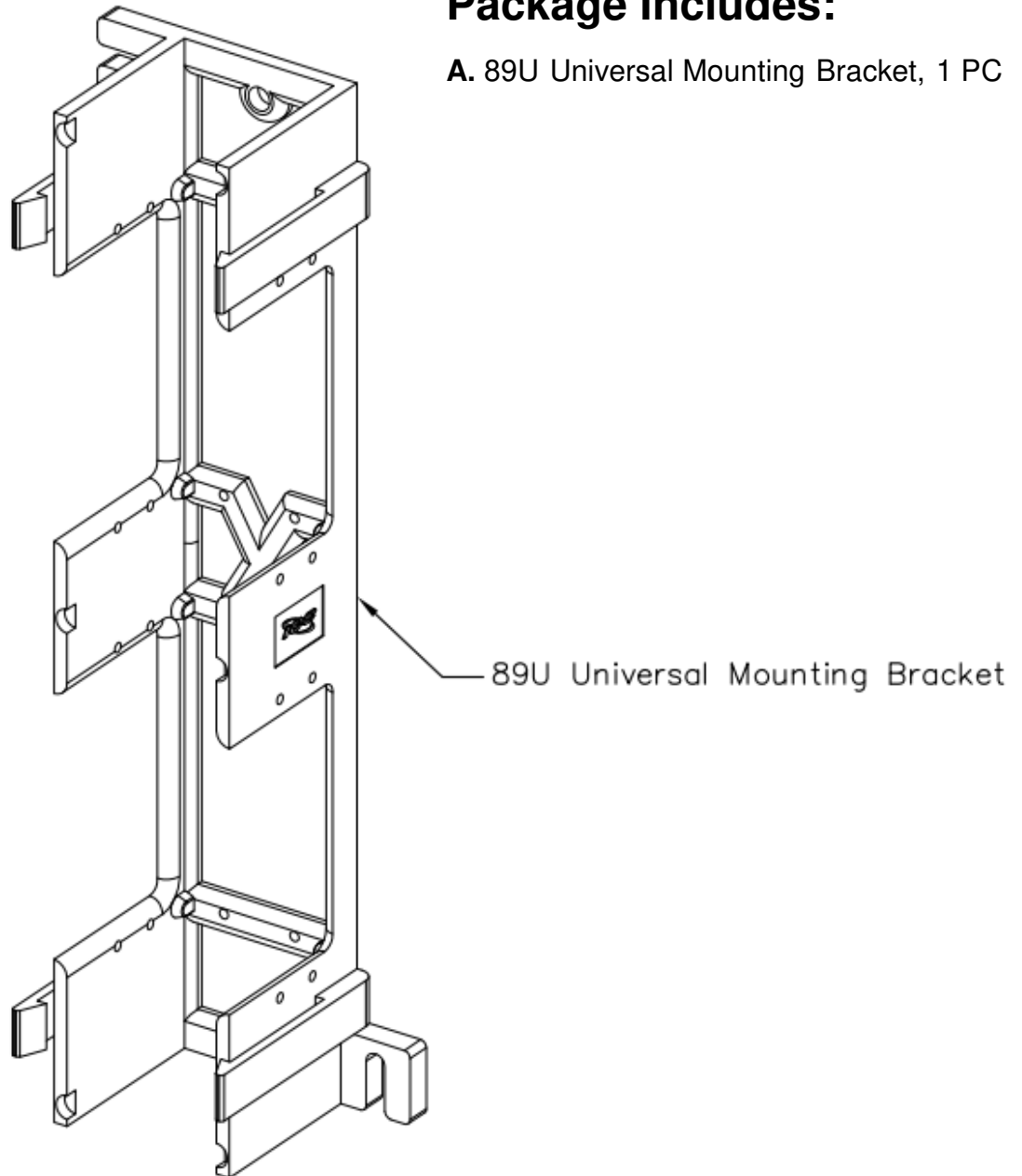


# 89U Universal Mounting Bracket

## Package Includes:

- A. 89U Universal Mounting Bracket, 1 PC



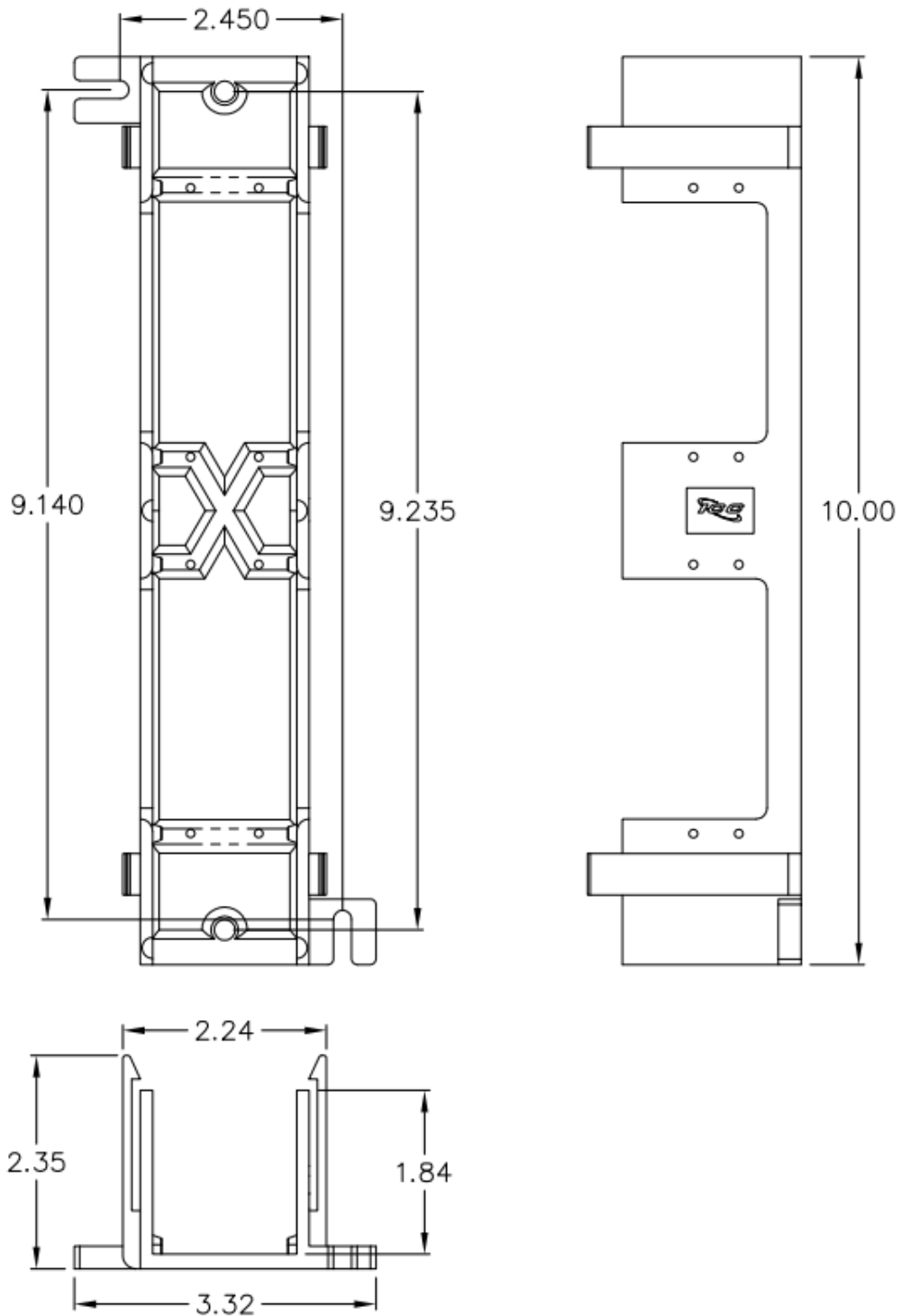
## Features and Benefits

- Designed for wall mounting
- Used with ICMP CAT 5e/CAT 6 vertical patch panels, IC107 vertical blank patch panels, and IC066NB050 66 wiring blocks
- ANSI/TIA-568-C and UL 1863 compliant
- Country Of Origin: Taiwan
- TAA Compliant

Part No: ICMB89U0WH  
Rev: A  
Page 1 of 2

| 888-ASK-4ICC | [icc.com](http://icc.com) | [csr@icc.com](mailto:csr@icc.com) |





**NOTE: UNLESS OTHERWISE SPECIFIED**

1. MATERIAL: ABS, UL 94V-2
2. COLOR: WHITE