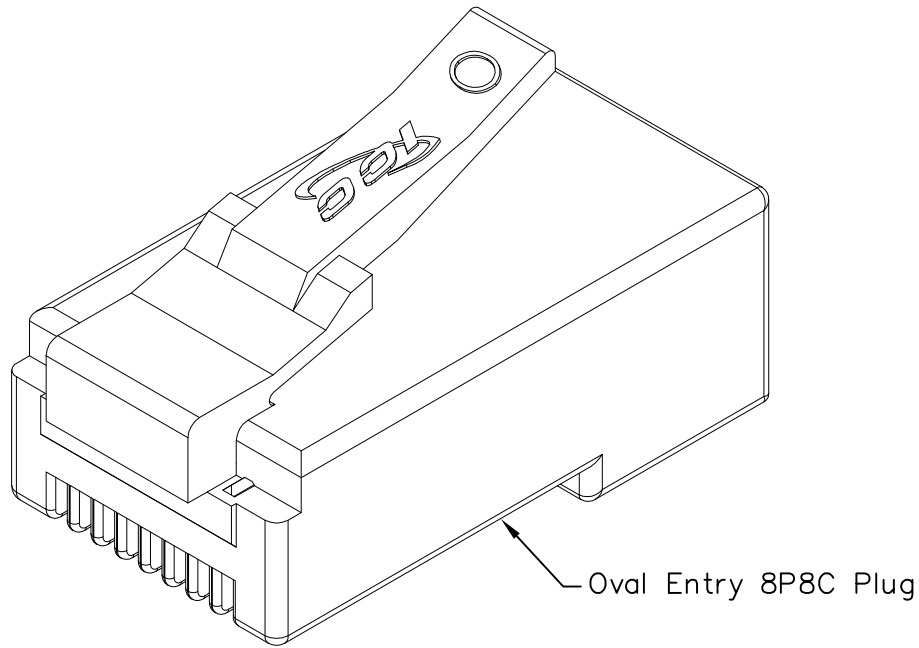


# Oval Entry 8P8C RJ-45 Plug (Solid Wires)

## PRODUCT SPECIFICATION

### Package includes:

A. Oval Entry 8P8C Plug, 100 pcs



### Features and Benefits:

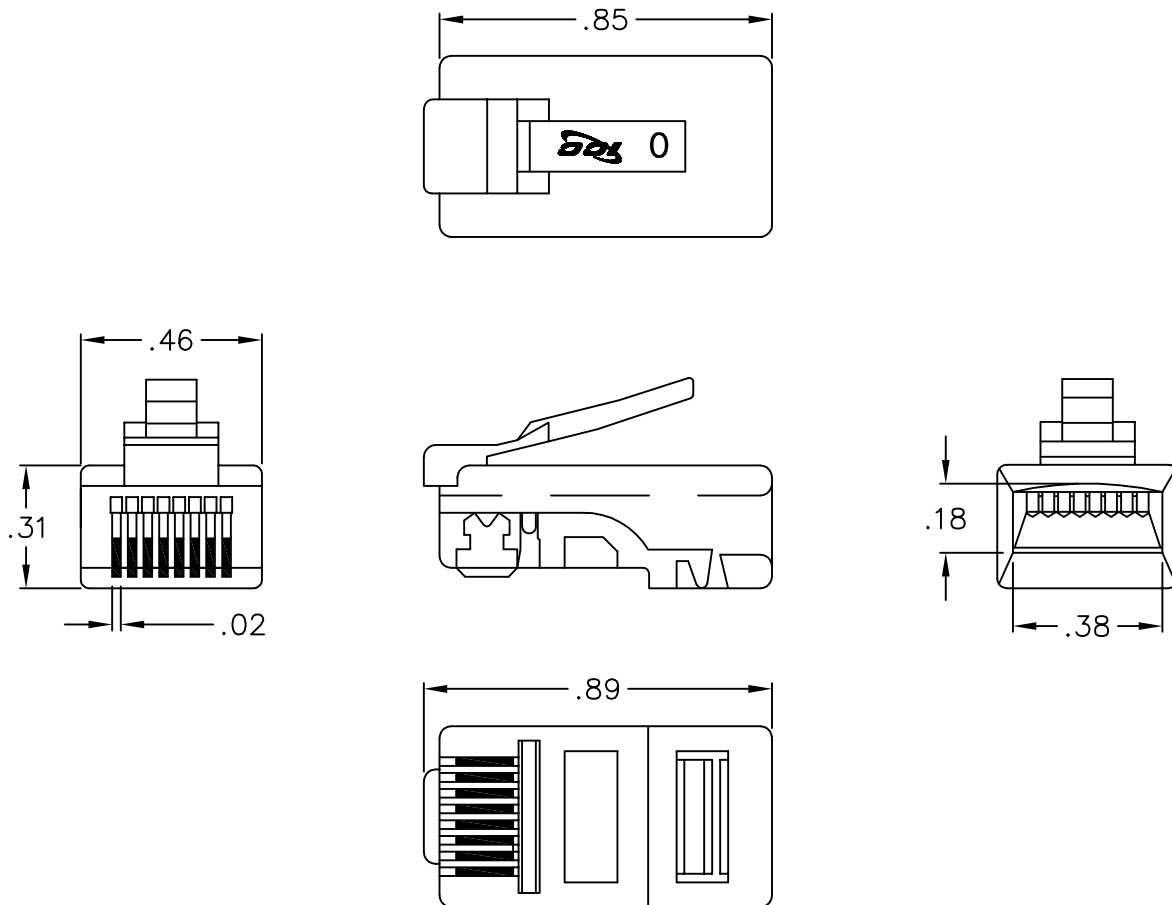
- Designed for 8-position 8-conductor, solid wires, round line cord entry
- Ideal for customization of cords for voice or data applications
- Accepts 28~24 AWG solid wires
- Used with ICACSCT845 and ICACSCT864 crimping tools
- UL recognized

### PLUG, 8P8C, OVAL ENTRY, SOLID, 100 PK

ITEM NO.	ICMP8P8SRD	REV.	C
DWG NO.	PSMP8P8SRD	PAGE NO.	1



CUSTOMER CARE / TECHNICAL SUPPORT \* CSR@ICC.COM / 888-ASK-4-ICC (275-4422) \* 14700 Alondra Blvd., La Mirada, CA 90638 \* www.icc.com



**NOTE: UNLESS OTHERWISE SPECIFIED**

1. ELECTRICAL:

- A. CURRENT/VOLTAGE RATING: 1.5 AMPS / 30 VAC 42 VDC
- B. DIELECTRIC WITHSTANDING VOLTAGE: 1000 VOLTS RMS, 1 MIN (60 Hz)
- C. INSULATION RESISTANCE: 500 MOHMS MIN
- D. TERMINATION RESISTANCE: 35 MILLIOHMS MAX AFTER ENVIRONMENTAL TESTING

2. MATERIAL & FINISH:

- A. HOUSING: PC, UL 94V-2
- B. COLOR: CLEAR
- C. CONTACT: PHOSPHOR BRONZE, GOLD PLATING OVER 100 MICRO INCH NICKEL
- D. GOLD PLATING: 1.27 MICRON/50 MICRO INCH MIN

**PLUG, 8P8C, OVAL ENTRY, SOLID, 100 PK**

ITEM NO.	ICMP8P8SRD
DWG NO.	PSMP8P8SRD

REV.	C
PAGE NO.	2



CUSTOMER CARE / TECHNICAL SUPPORT \* CSR@ICC.COM / 888-ASK-4-ICC (275-4422) \* 14700 Alondra Blvd., La Mirada, CA 90638 \* www.icc.com