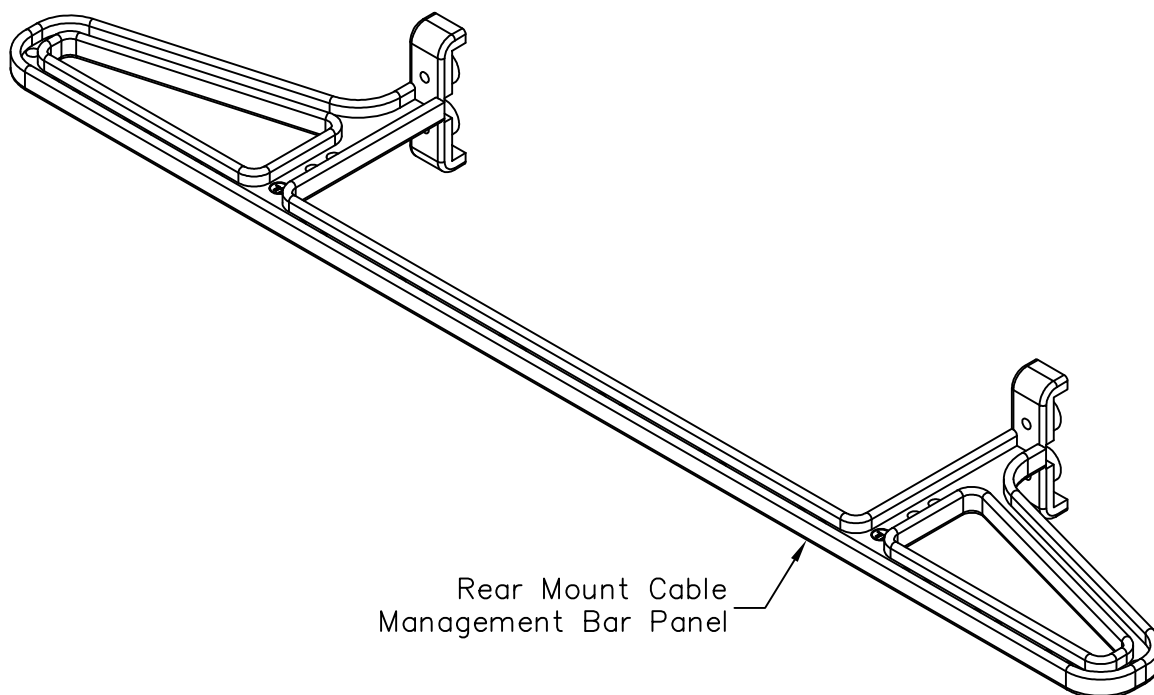


Rear Mount Cable Management Bar Panel

PRODUCT SPECIFICATION

Package includes:

- A. Rear Mount Cable Management Bar Panel, 1 pc
- B. 3mm X 16mm LG Pan Head, Combination Drive Tapping Screw, 4 pcs
- C. Installation Instructions, 1 sheet



Features and Benefits:

- Designed to mount on the rear side of 110-type patch panels for rear cable support
- Used with ICMPP CAT 5e and CAT 6 patch panels
- Installation instructions #MSR-0269 included
- ANSI/TIA-568-C and UL 1863 compliant

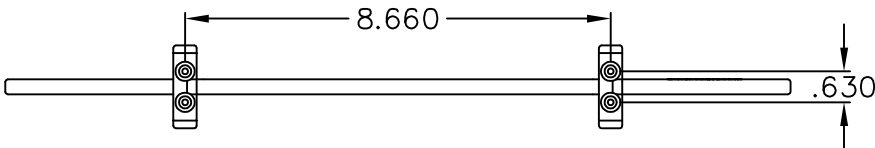
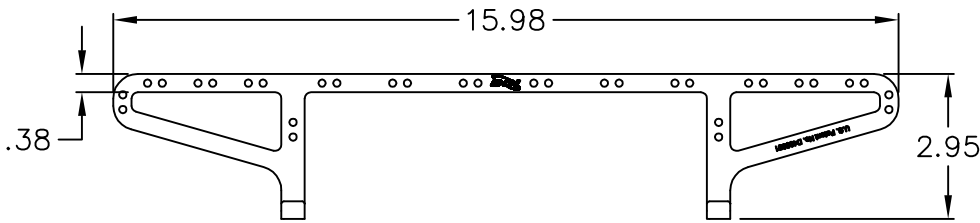
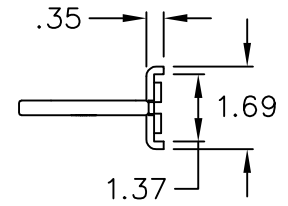
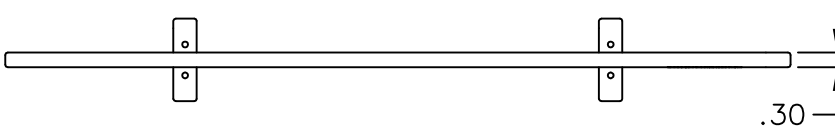
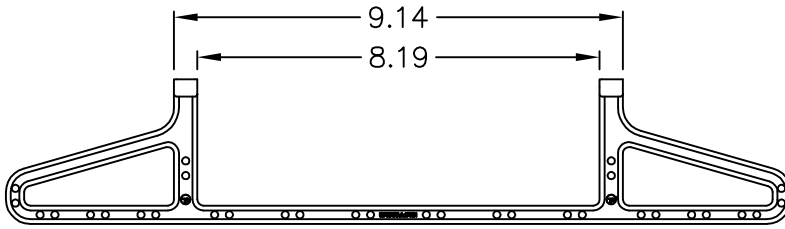
PANEL, CABLE MANAGEMENT BAR, REAR MOUNT

ITEM NO.	ICMPP25CMB
DWG NO.	PSMPP25CMB

REV.	A
PAGE NO.	1



CUSTOMER CARE / TECHNICAL SUPPORT * CSR@ICC.COM / 888-ASK-4-ICC (275-4422) * 2100 E. Valencia Dr, Suite D, Fullerton, CA 92831 * www.icc.com



NOTE: UNLESS OTHERWISE SPECIFIED

1. MATERIAL: ABS, UL 94V-0
2. COLOR: BLACK

UL US FILE NO. 125268

PANEL, CABLE MANAGEMENT BAR, REAR MOUNT

ITEM NO. ICMPP25CMB
 DWG NO. PSMPP25CMB

REV. A
 PAGE NO. 2



CUSTOMER CARE / TECHNICAL SUPPORT * CSR@ICC.COM / 888-ASK-4-ICC (275-4422) * 2100 E. Valencia Dr, Suite D, Fullerton, CA 92831 * www.icc.com