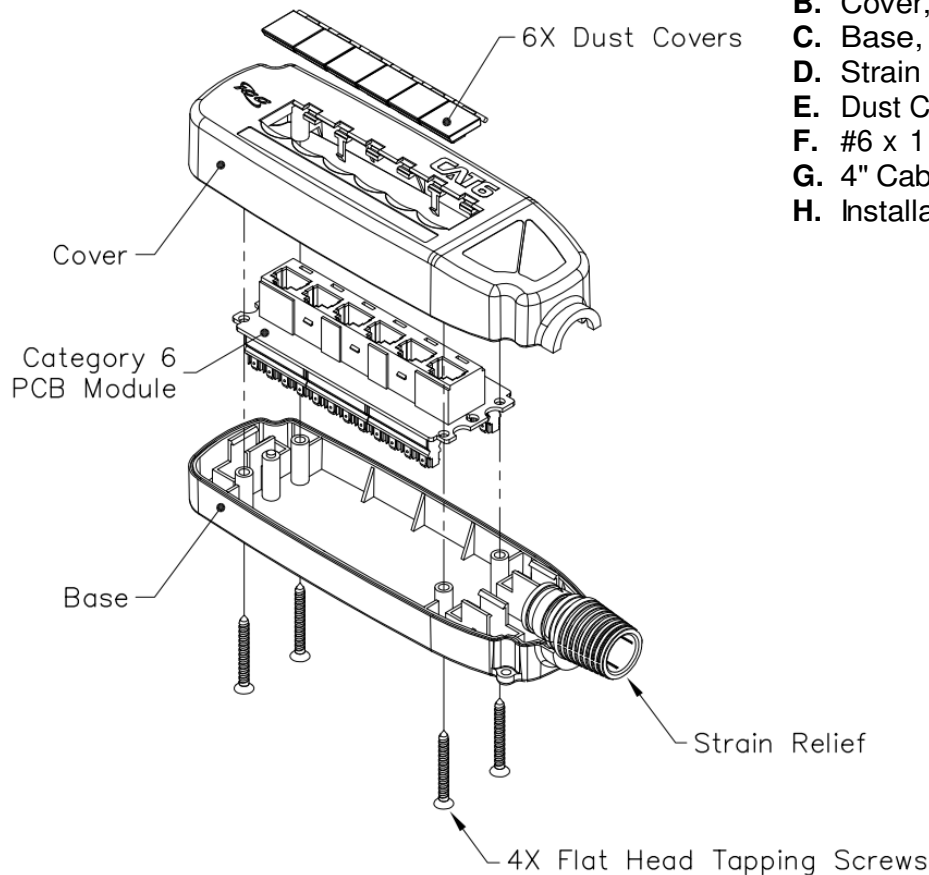


6 Port Category 6 Mobile Patch Box

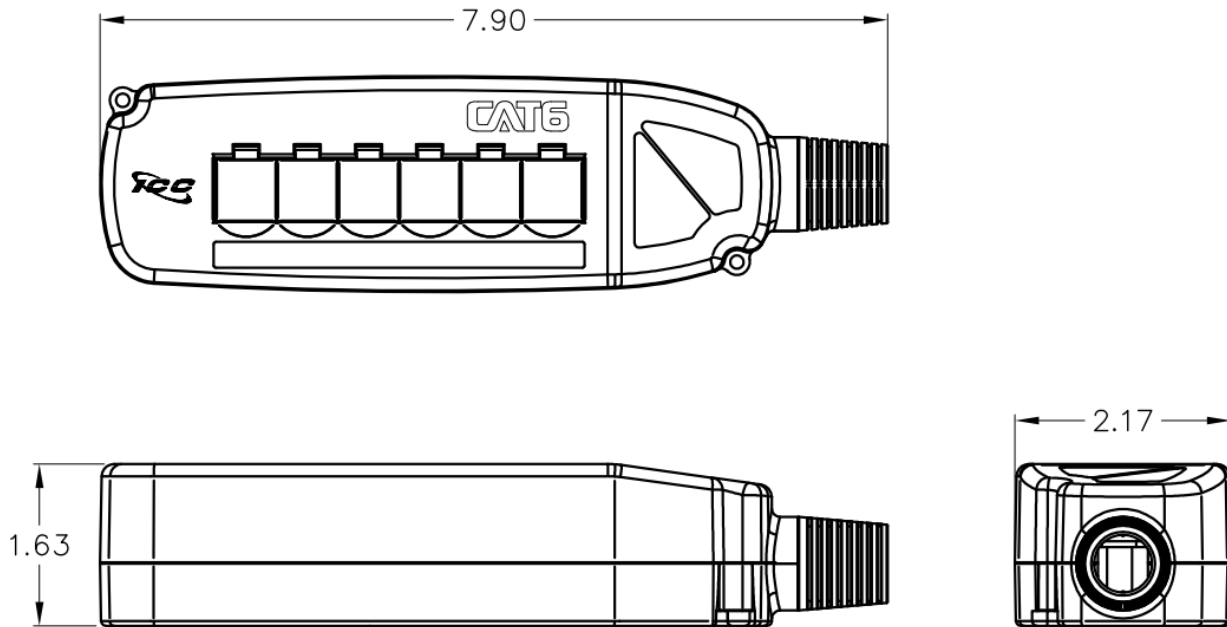
Package Includes:

- A. Category 6 PCB Module, 1PC
- B. Cover, 1 PC
- C. Base, 1 PC
- D. Strain Relief, 1 PC
- E. Dust Cover, 6 PCS
- F. #6 x 1 1/4" Flat Head Tapping Screw, 4 PCS
- G. 4" Cable Tie, 2 PCS
- H. Installation Instructions, 1 Sheet



Features and Benefits

- Provides a 6-port outlet appropriate for open architectural environments
- Suitable for use with either 4-pair or 25-pair cable
- Rugged construction allows for long lasting use
- Optional mounting on steel surface with magnets ICMAGBLOCK (not included)
- Enhanced crosstalk cancellation reduces return loss and improves performance by rejecting noise and unwanted signals
- Exceeds ANSI/TIA-568-C.2 Category 6 connecting hardware requirements
- Used with ICPCSK-series CAT 6 patch cords and ICACSPDT00 110 punch down tool
- UL 1863 compliant
- Country Of Origin: Taiwan
- TAA Compliant



CATEGORY 6 CONNECTING HARDWARE REQUIREMENTS												
FREQUENCY (MHz)	1.0	4.0	8.0	10.0	16.0	20.0	25.0	31.25	62.5	100	200	250
NEXT LOSS (db)	75.0	75.0	75.0	74.0	69.9	68.0	66.0	64.1	58.1	54.0	48.0	46.0
FEXT LOSS (db)	75.0	71.1	65.0	63.1	59.0	57.1	55.1	53.2	47.2	43.1	37.1	35.1
RETURN LOSS (db)	30.0	30.0	30.0	30.0	30.0	30.0	30.0	30.0	28.1	24.0	18.0	16.0
INSERTION LOSS(db)	0.10	0.10	0.10	0.10	0.10	0.10	0.10	0.11	0.16	0.20	0.28	0.32

NOTE: UNLESS OTHERWISE SPECIFIED

1. CAT 6 PCB MODULE:
 - A. ELECTRICAL:
 - i. CURRENT RATING: 1.5AMP MAX
 - ii. D.C. RESISTANCE: .10HM MAX
 - iii. CONTACT RESISTANCE: 5 MILLIOHMS
 - B. MECHANICAL:
 - i. MATING FORCE: 100 GRAMS MIN/CONTACT TEMPERATURE RANGE:-40° - 150°F(-40° -66°C)
 - ii. PLUG RETENTION IN JACK: 30 LBS (133N) MIN
 - C. MATERIAL:
 - i. JACK HOUSING: ABS, UL 94V-0
 - ii. SPRING WIRE: SQUARE SPRING WIRE, TEMPERED PHOSPHOROUS BRONZE
 - iii. 110 CONNECTOR: COPPER ALLOY, 100 MICRO INCHES OF BRIGHT SOLDER OVER 100 MICRO INCHES OF NICKEL UNDERPLATE
 - iv. GOLD RATING: 50 MICRO INCHES OF GOLD OVER 100 MICRO INCHES OF NICKEL
2. COVER AND BASE:
 - A. MATERIAL: POLYPROPYLENE, UL 94V-0
 - B. COLOR: BLACK
3. STRAIN RELIEF:
 - A. MATERIAL: SOFT PVC, UL 94V-0
 - B. COLOR: BLACK
4. DUST COVER:SS
 - A. MATERIAL: SOFT PVC, UL 94V-0
 - B. COLOR: BLACK

