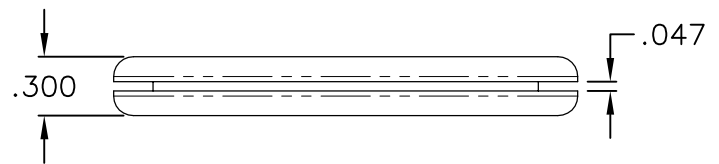
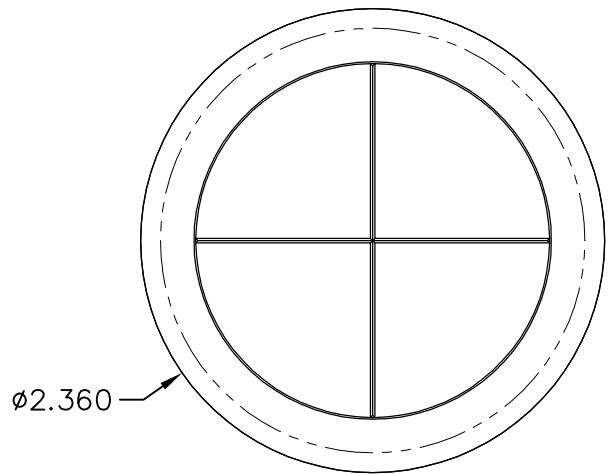
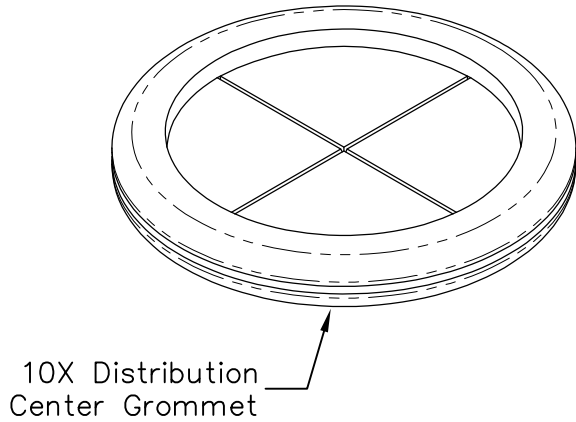


Distribution Center Grommet

PRODUCT SPECIFICATION

Package includes:

A. Distribution Center Grommet, 10 pcs




NOTE: UNLESS OTHERWISE SPECIFIED

1. MATERIAL: RUBBER
2. COLOR: BLACK

Features and Benefits:

- Designed to insulate and mechanically protect electrical and telecommunications cables, tubing, hose, rope, and utility lines
- Converts raw-edged holes to smooth, neat, insulated holes
- Used with all of ICC's 14", 21", and 28" distribution centers

| | | | |
|---|------------|---|------------|
| DISTRIBUTION CENTER GROMMET, 10 PK | |  | |
| ITEM NO. | ICRDSDCAC2 | | REV. B |
| DWG NO. | PSRDSDCAC2 | | PAGE NO. 1 |

CUSTOMER CARE / TECHNICAL SUPPORT * CSR@ICC.COM / 888-ASK-4-ICC (275-4422) * 2100 E. Valencia Dr, Suite D, Fullerton, CA 92831 * www.icc.com