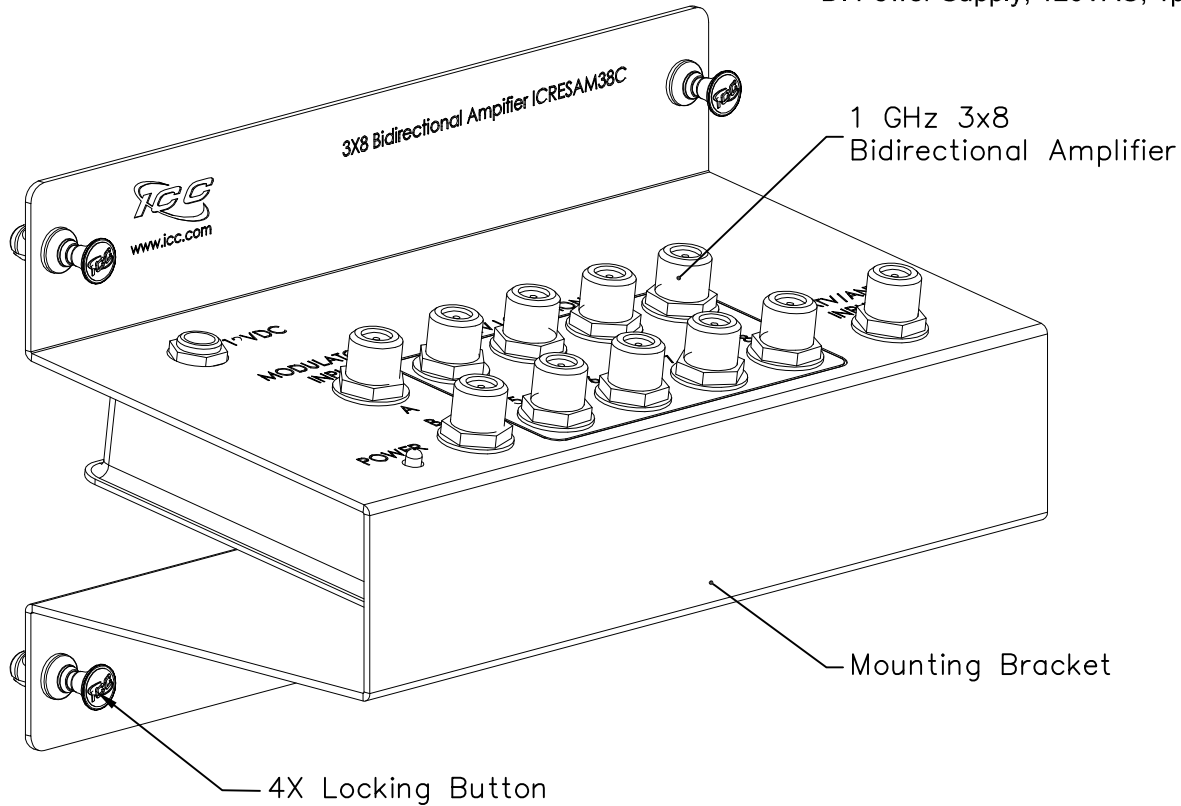


1 GHz 3x8 Bidirectional Amplifier Resi Module

PRODUCT SPECIFICATION

Package includes:


- A. 1 GHz 3x8 Bidirectional Amplifier, 1 pc
- B. Mounting Bracket, 1 pc
- C. Locking Button, 4 pcs
- D. Power Supply, 120VAC, 1pc



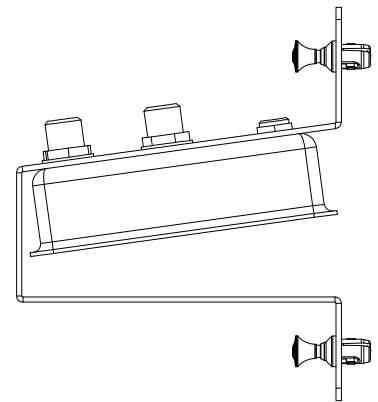
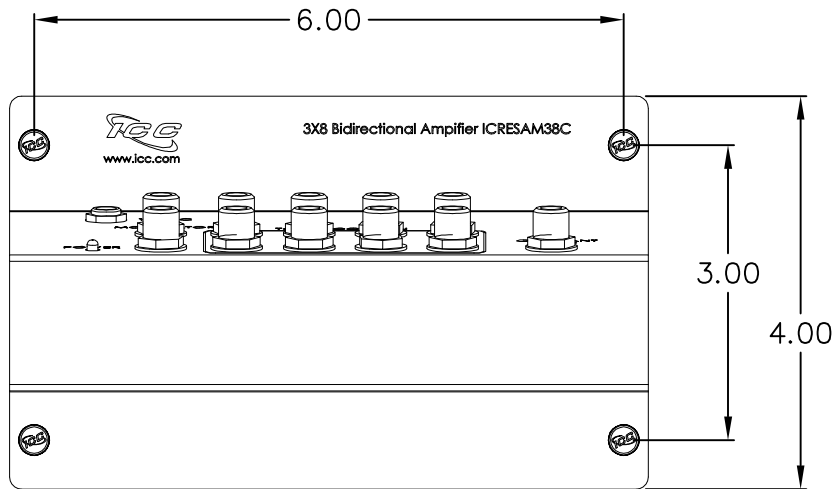
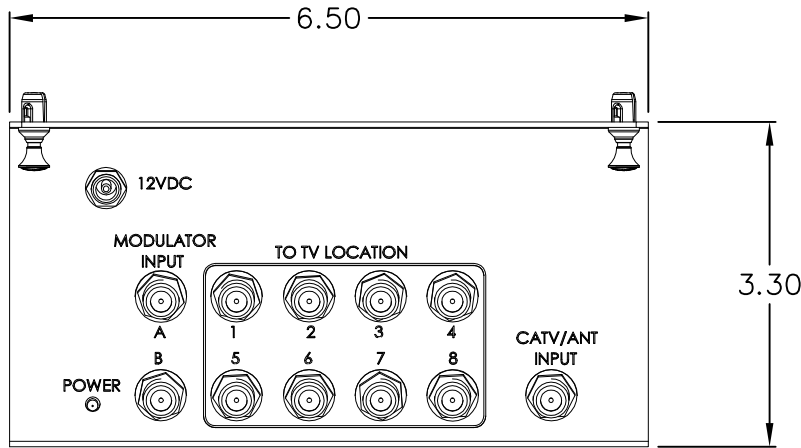
Features and Benefits:

- Designed to provide a low noise level and 3 dB gain with a 54 to 1000 MHz bandwidth
- Designed to provide excellent signal quality for splitting cable , UHF/VHF, antenna, or security system signals up to 8 locations
- Designed to use at two-way communication network with return path for interactive TV or pay-per-view CATV system
- Two modulator inputs for optional modulator input
- Compatible with all ICRESAV video splitter modules
- Fits all ICRESDC 14", 21", and 28" Net Media Center

RESI MODULE, 3x8 Bidirectional Amplifier, 1 GHZ

ITEM NO.	ICRESAM38C	REV.	B	 <i>Premium Products</i> <i>Proven Performance</i> <i>Competitive Prices</i>
DWG NO.	PSRESAM38C	PAGE NO.	1	

CUSTOMER CARE / TECHNICAL SUPPORT * CSR@ICC.COM / 888-ASK-4-ICC (275-4422) * 2100 E. Valencia Dr, Suite D, Fullerton, CA 92831 * www.icc.com



NOTE: UNLESS OTHERWISE SPECIFIED

1. 3X8 BIDIRECTIONAL AMPLIFIER:
 - A. HOUSING: DIE-CASTING WITH NICKEL PLATING
 - B. CONNECTORS: F-TYPE FEMALE
 - C. FREQUENCY RANGE / FORWARD: 54 ~ 1000 MHz
 - D. FREQUENCY RANGE / RESERVE: 5 ~ 42 MHz
2. 3X8 BIDIRECTIONAL AMPLIFIER BRACKET:
 - A. MATERIAL: 18 GA CRS
 - B. SURFACE FINISH: WHITE POWDER COAT
3. LOCKING BUTTON: MATERIAL: NYLON 6/6, UL 94V-0

RESI MODULE, 3x8 Bidirectional Amplifier, 1 GHZ			
ITEM NO.	ICRESAM38C		REV. B
DWG NO.	PSRESAM38C		PAGE NO. 2

CUSTOMER CARE / TECHNICAL SUPPORT * CSR@ICC.COM / 888-ASK-4-ICC (275-4422) * 2100 E. Valencia Dr, Suite D, Fullerton, CA 92831 * www.icc.com