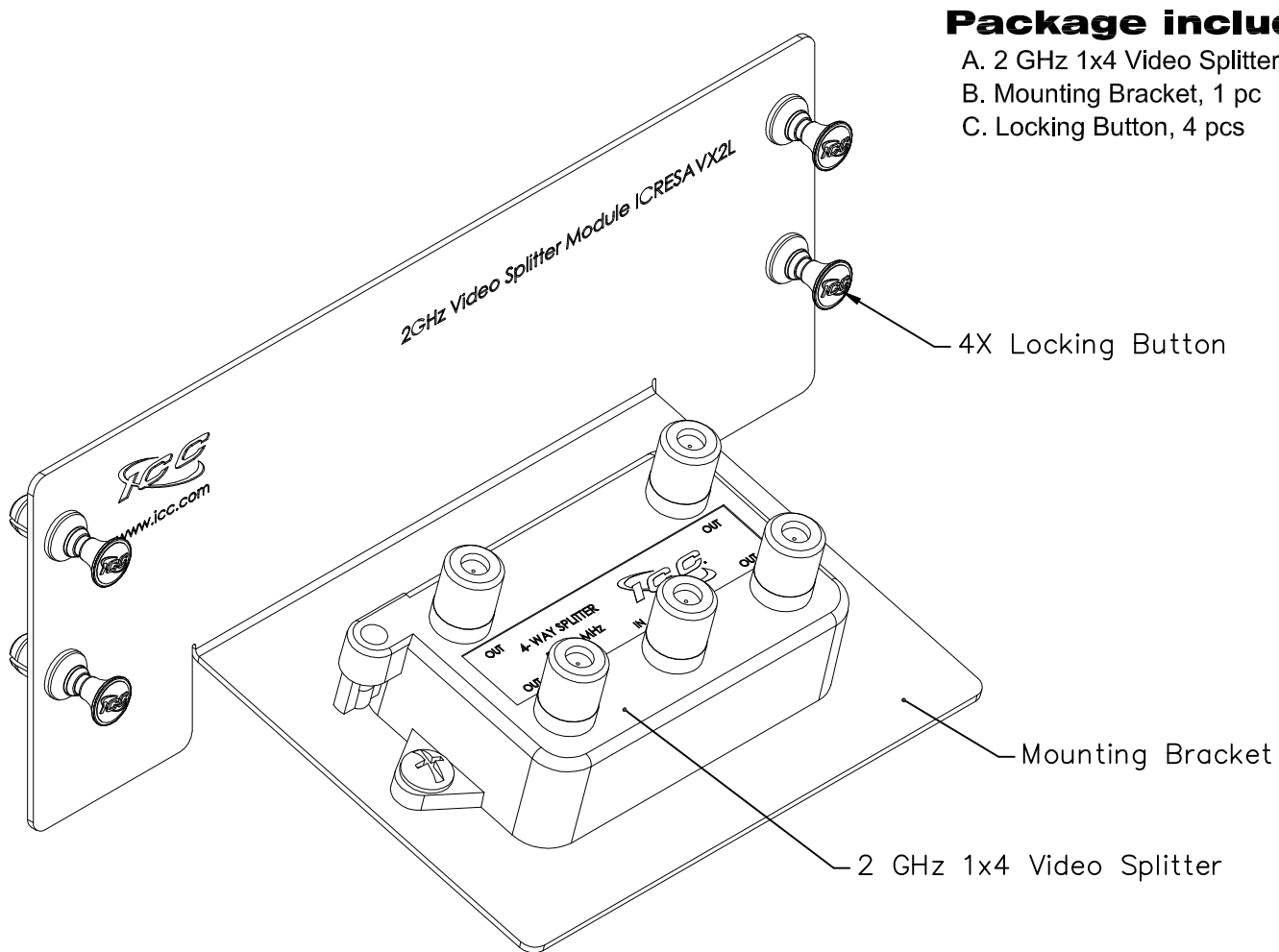


2 GHz 1x4 Deluxe Video Splitter Resi Module

PRODUCT SPECIFICATION



Package includes:

- A. 2 GHz 1x4 Video Splitter, 1 pc
- B. Mounting Bracket, 1 pc
- C. Locking Button, 4 pcs

Features and Benefits:

- Designed to provide excellent signal quality for splitting HDTV, satellite, cable, UHF/VHF, antenna, or security system signals up to 4 locations with the frequency bandwidth from 5 to 2300 MHz
- Ideal for home or small office use
- Used with ICRESAM25C drop amplifier resi module installed between the signal source and the splitter input connector to compensate for splitter insertion loss and to ensure adequate incoming signal levels if needed
- Used with F-type termination cap to prevent signal degradation
- Fits all ICRESDC 14", 21", and 28" resi distribution center enclosures with the 4 locking buttons

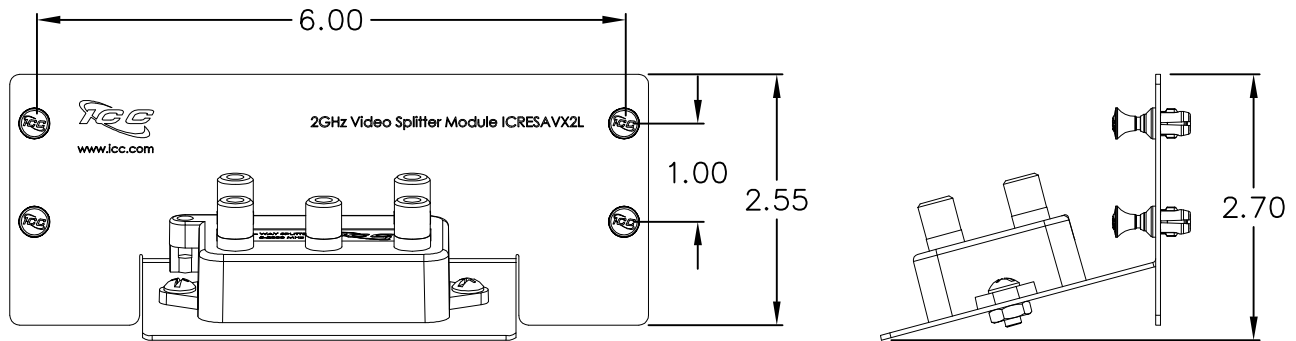
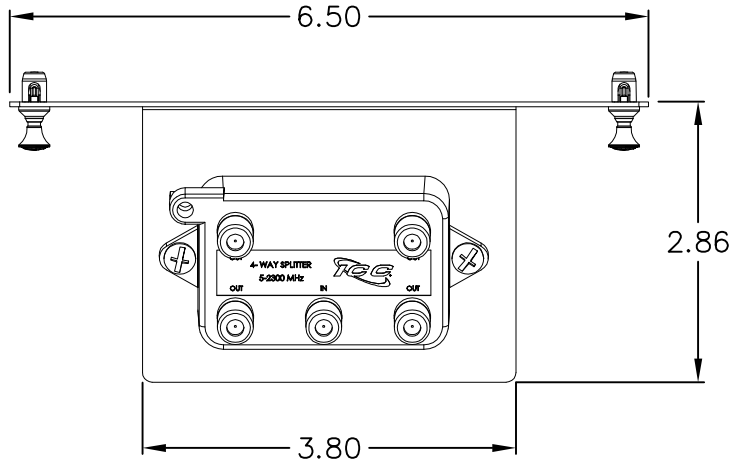
RESI MODULE, DELUXE VIDEO SPLITTER, 1X4, 2 GHZ

ITEM NO.	ICRESAV42L
DWG NO.	PSRESAV42L

REV.	A
PAGE NO.	1




CUSTOMER CARE / TECHNICAL SUPPORT * CSR@ICC.COM / 888-ASK-4-ICC (275-4422) * 2100 E. Valencia Dr, Suite D, Fullerton, CA 92831 * www.icc.com



NOTE: UNLESS OTHERWISE SPECIFIED

1. 1X4 VIDEO SPLITTER:
 - A. HOUSING: DIE-CASTING WITH NICKEL PLATING
 - B. CONNECTORS: F-TYPE FEMALE
 - C. FREQUENCY RANGE: 5 ~ 2300 MHZ
 - D. INSERTION LOSS: 11 dB TYPICAL
2. MOUNTING BRACKET:
 - A. MATERIAL: 18 GA CRS
 - B. SURFACE FINISH: WHITE POWDER COAT
3. LOCKING BUTTON: MATERIAL: NYLON 6/6, UL 94V-0

Port	Frequency Range (MHz)	4 port (dB)
Output-Isolation	5-47	18
	47-1000	18
	1000-2050	18
	2050-2150	18
	2150-2300	18
	2300-2450	18

RESI MODULE, DELUXE VIDEO SPLITTER, 1X4, 2 GHZ		 Premium Products Proven Performance Competitive Prices	
ITEM NO.	ICRESAV42L		REV. A
DWG NO.	PSRESAV42L	PAGE NO.	2

CUSTOMER CARE / TECHNICAL SUPPORT * CSR@ICC.COM / 888-ASK-4-ICC (275-4422) * 2100 E. Valencia Dr, Suite D, Fullerton, CA 92831 * www.icc.com