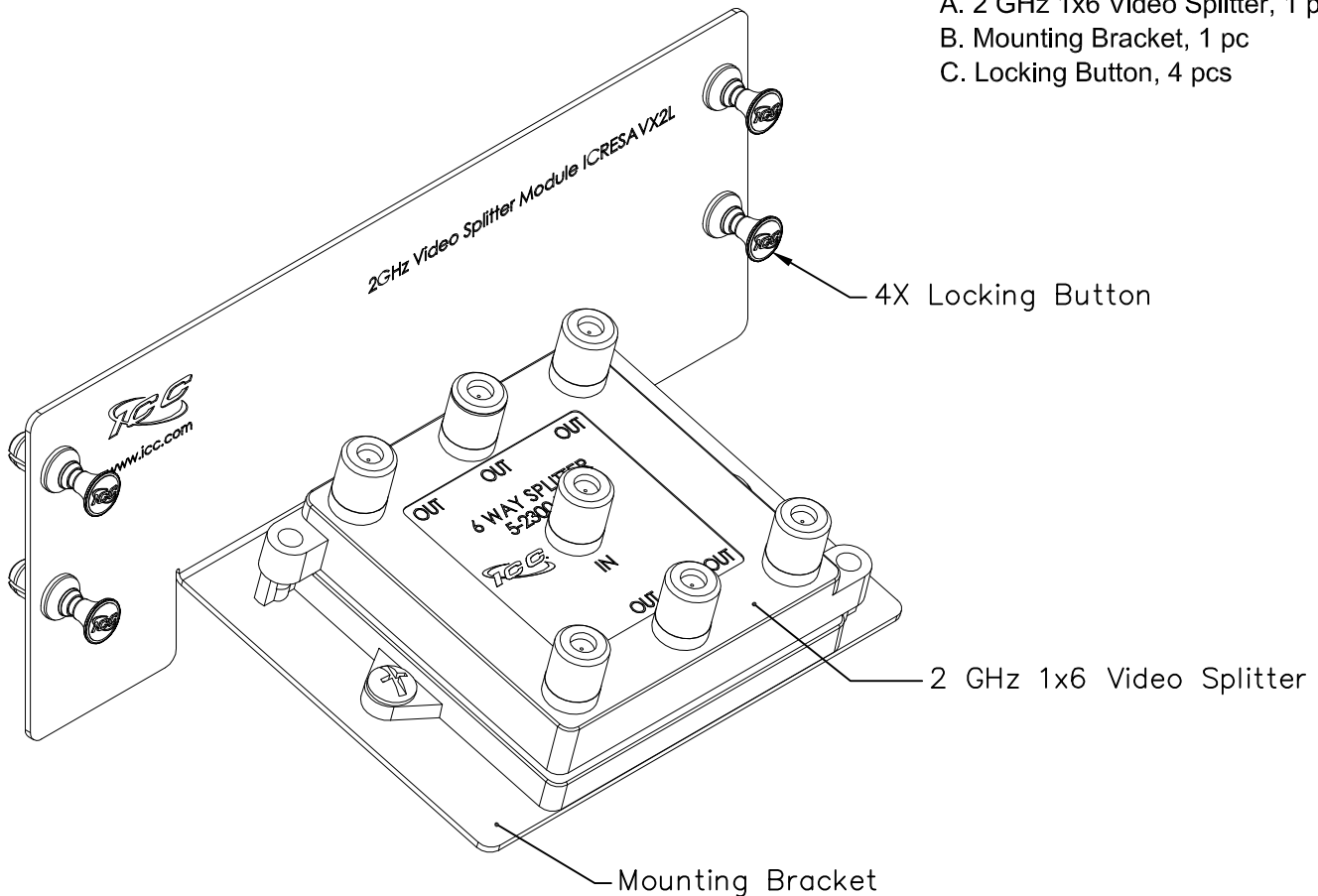


# 2 GHz 1x6 Deluxe Video Splitter Resi Module

## PRODUCT SPECIFICATION


### Package includes:

- A. 2 GHz 1x6 Video Splitter, 1 pc
- B. Mounting Bracket, 1 pc
- C. Locking Button, 4 pcs

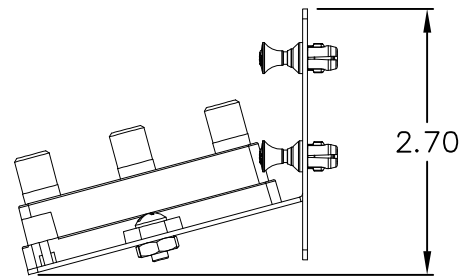
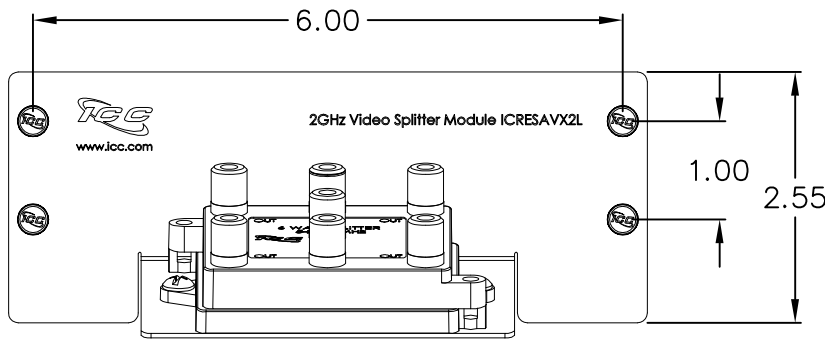
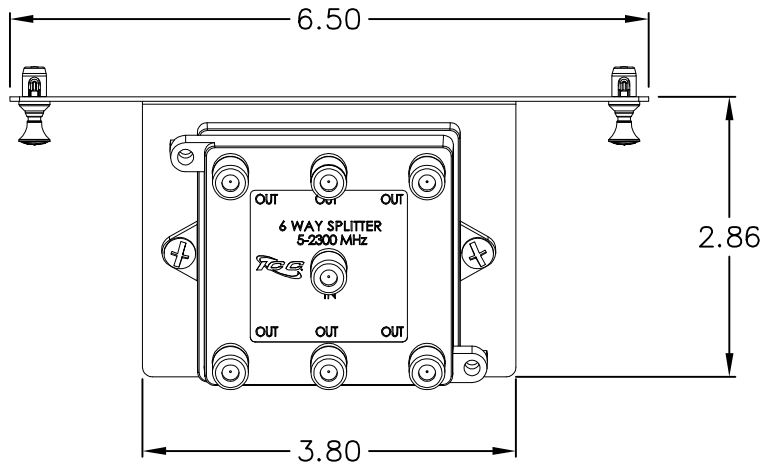


### Features and Benefits:

- Designed to provide excellent signal quality for splitting HDTV, satellite, cable, UHF/VHF, antenna, or security system signals up to 6 locations with the frequency bandwidth from 5 to 2300 MHz
- Ideal for home or small office use
- Used with ICRESAM25C drop amplifier resi module installed between the signal source and the splitter input connector to compensate for splitter insertion loss and to ensure adequate incoming signal levels if needed
- Fits all ICRESDC 14", 21", and 28" resi distribution center enclosures with the 4 locking buttons

<b>RESI MODULE, DELUXE VIDEO SPLITTER, 1X6, 2 GHZ</b>			 <i>PremiumProducts</i> <i>ProvenPerformance</i> <i>CompetitivePrices</i>
ITEM NO.	ICRESAV62L	REV. A	
DWG NO.	PSRESAV62L	PAGE NO. 1	


CUSTOMER CARE / TECHNICAL SUPPORT \* CSR@ICC.COM / 888-ASK-4-ICC (275-4422) \* 2100 E. Valencia Dr, Suite D, Fullerton, CA 92831 \* www.icc.com



**NOTE: UNLESS OTHERWISE SPECIFIED**

1. 1X6 VIDEO SPLITTER:
  - A. HOUSING: DIE-CASTING WITH NICKEL PLATING
  - B. CONNECTORS: F-TYPE FEMALE
  - C. FREQUENCY RANGE: 5 ~ 2300 MHZ
  - D. INSERTION LOSS: 15 dB TYPICAL
2. MOUNTING BRACKET:
  - A. MATERIAL: 18 GA CRS
  - B. SURFACE FINISH: WHITE POWDER COAT
3. LOCKING BUTTON: MATERIAL: NYLON 6/6, UL 94V-0

Port	Frequency Range (MHz)	6 port (dB)
Output-Isolation	5-47	19
	47-1000	19
	1000-2050	19
	2050-2150	19
	2150-2300	19
	2300-2450	18

<b>RESI MODULE, DELUXE VIDEO SPLITTER, 1X6, 2 GHZ</b>		 Premium Products Proven Performance Competitive Prices	
ITEM NO.	ICRESAV62L		REV. A
DWG NO.	PSRESAV62L		PAGE NO. 2

CUSTOMER CARE / TECHNICAL SUPPORT \* CSR@ICC.COM / 888-ASK-4-ICC (275-4422) \* 2100 E. Valencia Dr, Suite D, Fullerton, CA 92831 \* www.icc.com