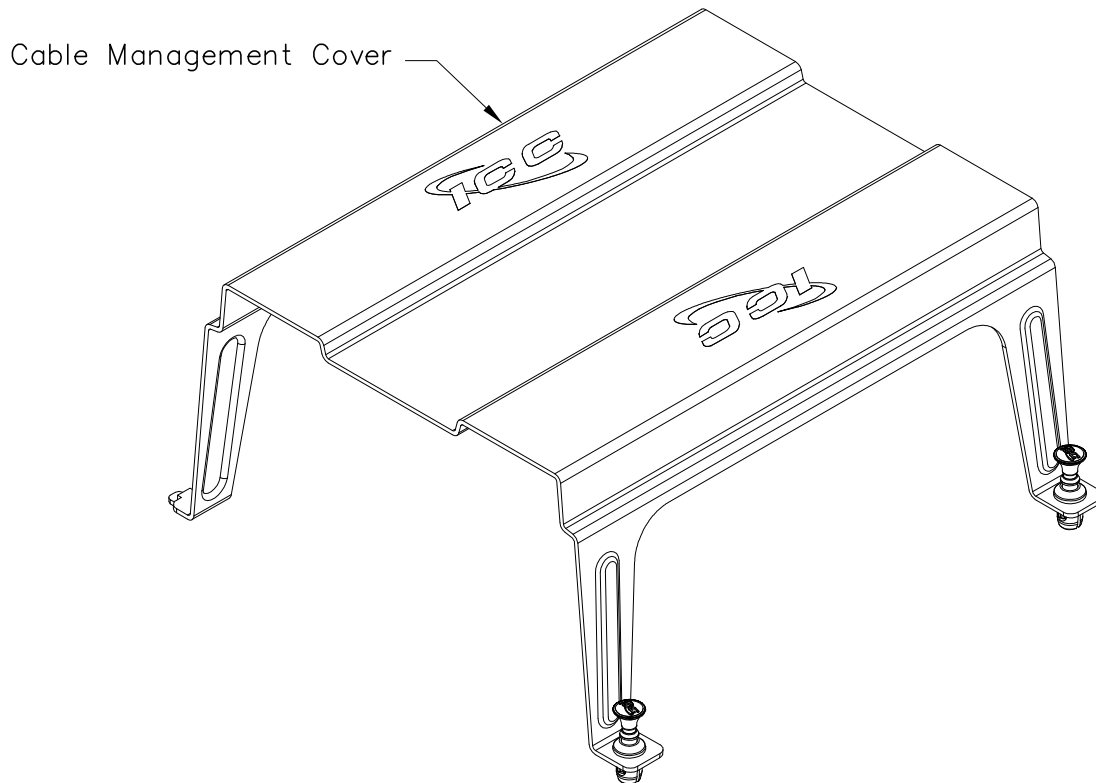


Cable Management Cover

PRODUCT SPECIFICATION

Package includes:

- A. Cable Management Cover, 1 pc
- B. Fasteners, 2 pc



Features and Benefits:

- High quality durable steel material for long lasting use.
- Conceals cable for a clean appearance.
- Contains openings all around the sides for cable management.
- No tools required to install.
- Compatible with ICC's Net.Media Centers ICRESDCXXE.
- Available in white.

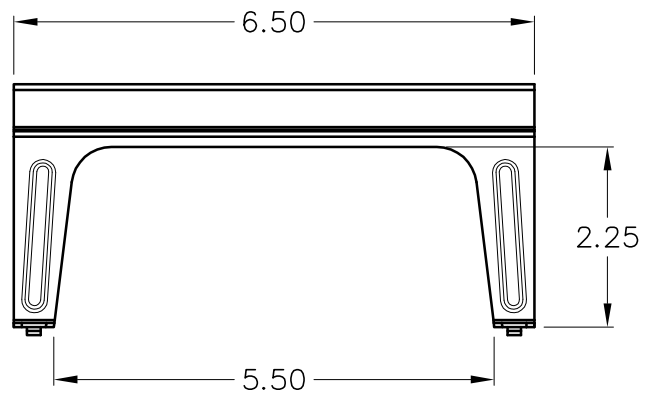
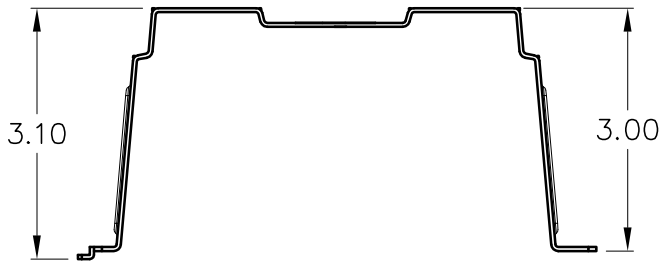
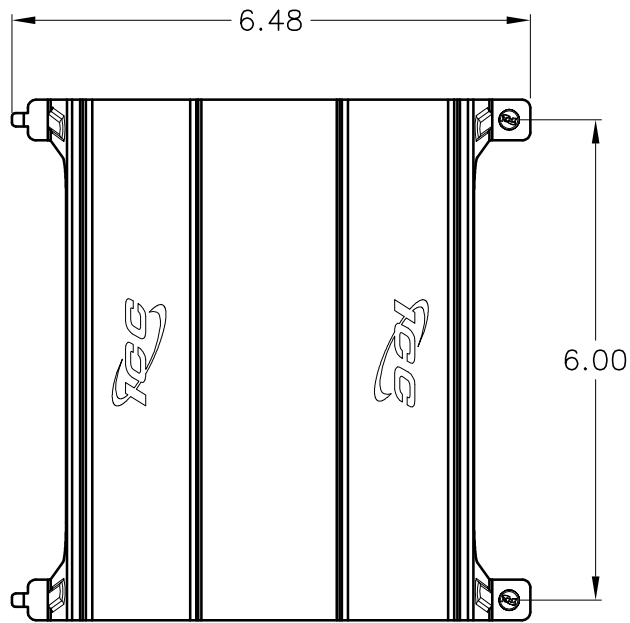
RESI, CABLE MANAGEMENT COVER

ITEM NO.	ICRESCMC06
DWG NO.	ICRESCMC06

REV.	A
PAGE NO.	1



CUSTOMER CARE / TECHNICAL SUPPORT * CSR@ICC.COM / 888-ASK-4-ICC (275-4422) * 16800 Edwards Road, Cerritos, CA 90703 * Phone 562-356-3111 * Fax 562-356-3100 * www.icc.com



NOTE: UNLESS OTHERWISE SPECIFIED

1. MATERIAL: 18GA CRS
2. FINISH: WHITE POWDER COAT

RESI, CABLE MANAGEMENT COVER

ITEM NO. ICRESCMC06
 DWG NO. ICRESCMC06

REV. A
 PAGE NO. 2



CUSTOMER CARE / TECHNICAL SUPPORT * CSR@ICC.COM / 888-ASK-4-ICC (275-4422) * 16800 Edwards Road, Cerritos, CA 90703 * Phone 562-356-3111 * Fax 562-356-3100 * www.icc.com