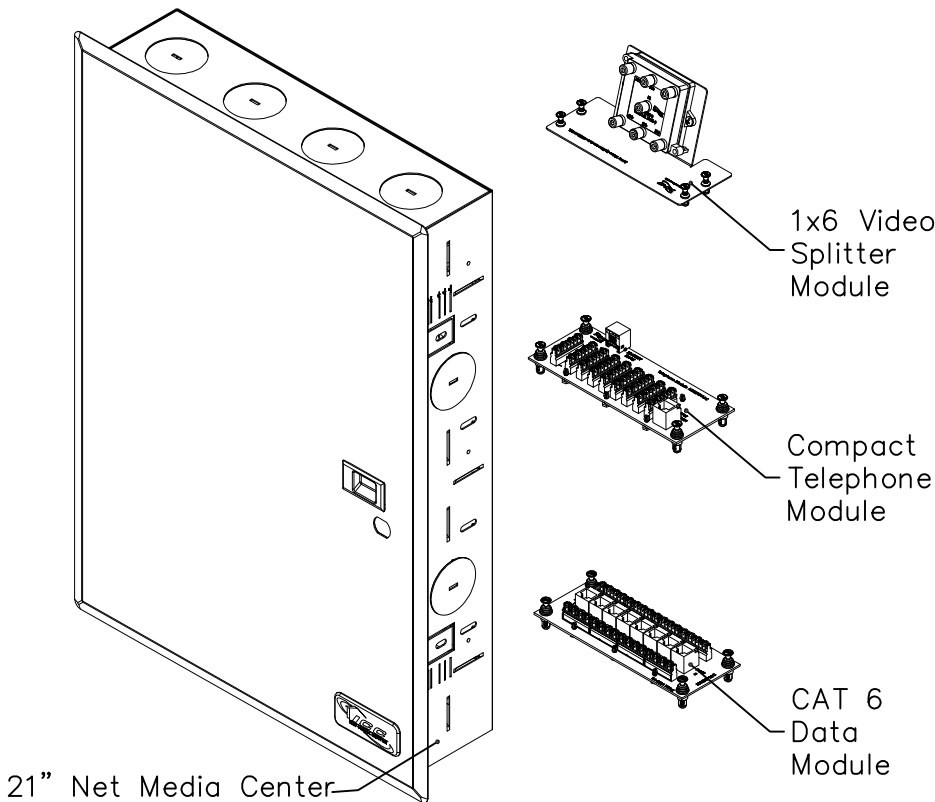


21" Net Media Center Combo

PRODUCT SPECIFICATION



Package includes:

- A. 21" Net Media Center Box Assembly, 1 pc
- B. 21" Net Media Center Door Assembly, 1 pc
- C. Door Latch, 1 pc
- D. Rubber Grommet, 4 pcs
- E. Rubber Bumper, 2 pcs
- F. #6-32 x 3/8" Zinc Plated, Pan Head Hinge Screw, 2 pcs
- G. #10-24 X 1", Wood Screw, 4 pcs
- H. Protective Cover, 1 pc
- I. "NET MEDIA CENTER" Insert, 1 pc
- J. Fastener, 4 pcs
- K. Compact Module, CAT 6, Data, 8-Port, 1 pc
- L. Compact Module, Telephone, 8-Port w/RJ31, 1pc
- M. Resi module, 2 GHz Video Splitter, 1x6, 1 pc
- N. Installation Instructions, 1 pc

Features and Benefits:

- Designed with steel construction, white powder coated, lightweight and sturdy.
- Designed to serve as the central distribution point for voice, video, and data services for smaller residential structured wiring systems.
- Allows for internal modules to be mounted horizontally or vertically facilitating easier layout and wiring of the system, while providing for optimum cable management.
- Integrated snap-in module system enables users to quickly insert or move the internal modules.
- Supports up to 6 ICCMSCMPT1 or ICCMSCMPT2 Cable Management Rings for organizing and routing cable.
- Includes 4 top, 3 bottom, 4 rear, and 4 side knockouts for routing cables and 4 cable tie points.
- Includes a knockout for an optional AC power outlet (not included) to provide power distribution.
- Fits between 16" studs with 12 internal module mounting spaces or can be wall mounted.
- Designed with a door latch and an optional door lock knockout.
- Hinged door and NET MEDIA CENTER insert are reversible for opening from left or right.
- Accommodates all of ICRESXXXXX residential modules.
- Used with optional accessories including ICRDSDCAC2 distribution center rubber grommets, ICRESDCAC3 distribution center plastic grommets, and ICRDSDC2LK distribution center door lock.
- Net Media Center enclosures are not designed to be installed in firewall applications.
- Complies with UL 1863, TIA-568-C, TIA-570-B and TIA-607 standards.

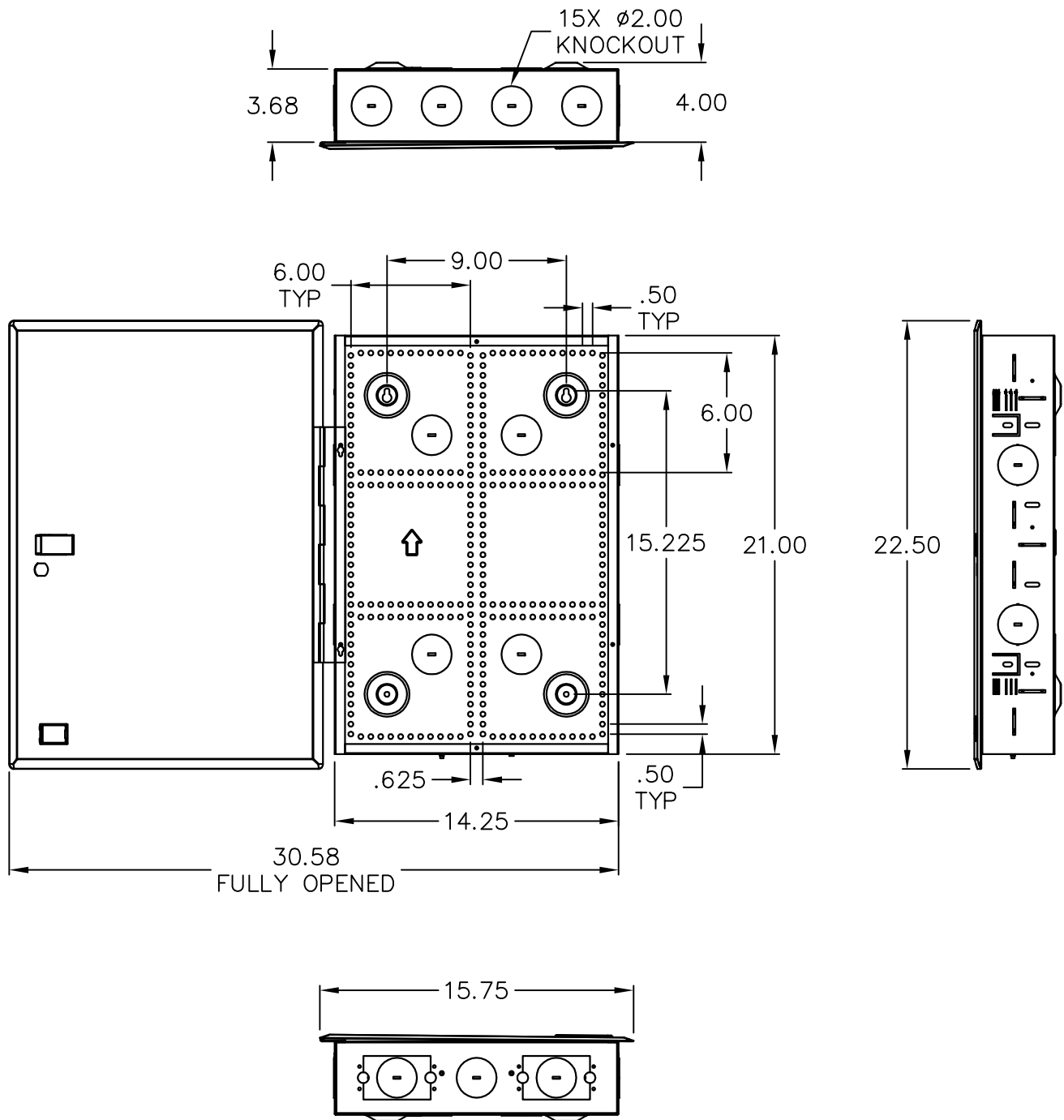
COMBO, NET MEDIA CENTER, 21"

ITEM NO. ICRESDC21K
 DWG NO. PSRESDC21K

REV. A
 PAGE NO. 1




CUSTOMER CARE / TECHNICAL SUPPORT * CSR@ICC.COM / 888-ASK-4-ICC (275-4422) * 2100 East Valencia Drive, Suite D, Fullerton, CA 92831 * www.icc.com

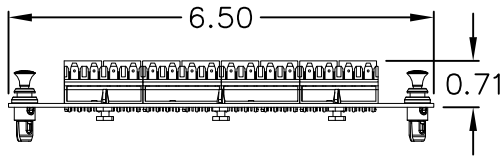
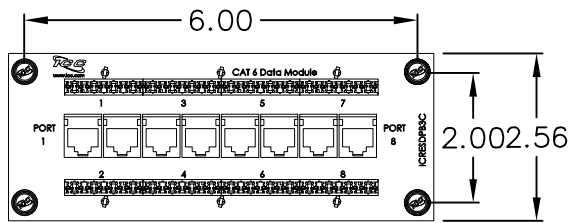


NOTE: UNLESS OTHERWISE SPECIFIED

1. MATERIAL: 20 GA CRS
2. SURFACE FINISH: WHITE POWDER COAT

COMBO, NET MEDIA CENTER, 21"		 <i>Premium Products</i> <i>Proven Performance</i> <i>Competitive Prices</i>
ITEM NO.	ICRESDC21K	
DWG NO.	PSRESDC21K	PAGE NO. 2

CUSTOMER CARE / TECHNICAL SUPPORT * CSR@ICC.COM / 888-ASK-4-ICC (275-4422) * 2100 East Valencia Drive, Suite D, Fullerton, CA 92831 * www.icc.com

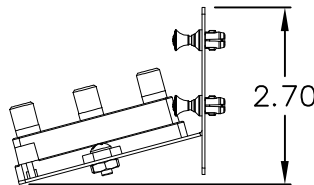
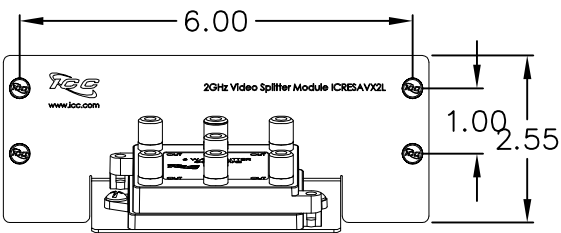
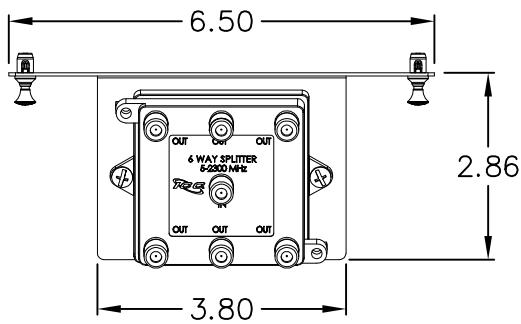
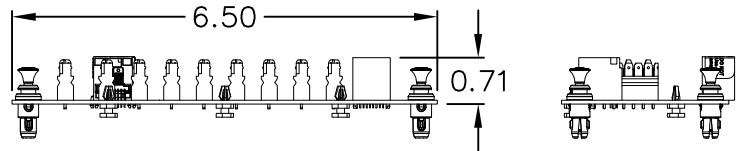
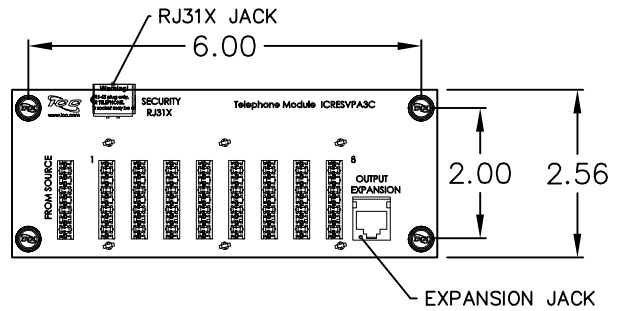


NOTE: UNLESS OTHERWISE SPECIFIED

1. 8-PORT CAT 6 DATA MODULE:
 - A. PCB: GLASS EPOXY FR-4 COPPER CLAD, t=1.20mm
 - B. 110 BLOCK:
 - HOUSING: PC, UL 94V-0
 - IDC: PHOSPHOROUS BRONZE, TIN PLATED
 - C. RJ45 JACK/SOCKET:
 - HOUSING: PBT + 15% FIBER GLASS
 - CONTACT: PHOSPHOROUS BRONZE, 50u" GOLD PLATED
 - D. WIRING IN ACCORDANCE TO T568A
 - E. CATEGORY 6 RATED
2. LOCKING BUTTON: MATERIAL: NYLON 6/6, UL 94V-0

NOTE: UNLESS OTHERWISE SPECIFIED


1. 8-PORT TELEPHONE MODULE WITH RJ31X JACK:
 - A. PCB: GLASS EPOXY FR-4 COPPER CLAD, t=1.20mm
 - B. 110 BLOCK:
 - HOUSING: PC, UL 94V-0
 - IDC: PHOSPHOROUS BRONZE, TIN PLATED
 - C. RJ45 & RJ31X JACK/SOCKET:
 - HOUSING: PBT + 15% FIBER GLASS
 - CONTACT: PHOSPHOROUS BRONZE, 50u" GOLD PLATED
 - D. WIRING IN ACCORDANCE TO T568B
2. LOCKING BUTTON: MATERIAL: NYLON 6/6, UL 94V-0



NOTE: UNLESS OTHERWISE SPECIFIED

1. 1X6 VIDEO SPLITTER:
 - A. HOUSING: DIE-CASTING WITH NICKEL PLATING
 - B. CONNECTORS: F-TYPE FEMALE
 - C. FREQUENCY RANGE: 5 ~ 2300 MHZ
 - D. INSERTION LOSS: 15 dB TYPICAL
2. MOUNTING BRACKET:
 - A. MATERIAL: 18 GA CRS
 - B. SURFACE FINISH: WHITE POWDER COAT
3. LOCKING BUTTON: MATERIAL: NYLON 6/6, UL 94V-0

COMBO, NET MEDIA CENTER, 21"

ITEM NO.	ICRESDC21K	REV.	A	 Premium Products Proven Performance Competitive Prices
DWG NO.	PSRESDC21K	PAGE NO.	3	

CUSTOMER CARE / TECHNICAL SUPPORT * CSR@ICC.COM / 888-ASK-4-ICC (275-4422) * 14700 Alondra Blvd., La Mirada, CA 90638 * www.icc.com