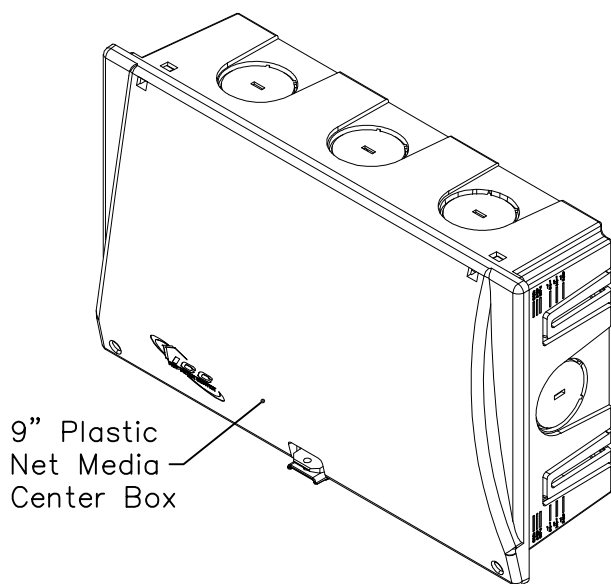


# 9" Plastic Net Media Center Combo

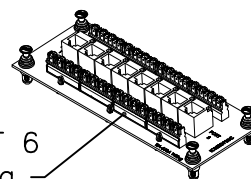
## PRODUCT SPECIFICATION

### Package includes:

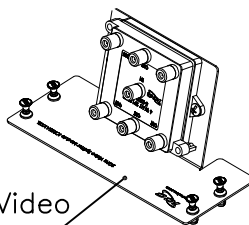
- A. 9" Net Media Center Plastic Enclosure, 1 pc
- B. Net Media Center Plastic Cover, 1 pc
- C. #6-32 X 7/8", Pan Head, Machine Screw, Phillips, Zinc Plated Steel, 2 pcs
- D. #10-24 X 1", Wood Screw, 4 pcs
- E. Compact Module, CAT 6, Data, 8-Port, 1 pc
- F. Compact Module, Telephone, 8-Port w/RJ31, 1pc
- G. Resi module, 2 GHz Video Splitter, 1x6, 1 pc
- H. Wiring Location Sheet, 1 pc
- I. Installation Instructions, 1 pc



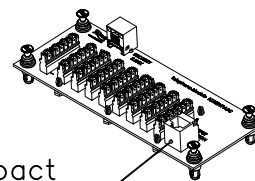
9" Plastic Net Media Center Box



CAT 6 Data Module



1x6 Video Splitter Module



Compact Telephone Module

### Features and Benefits:

- Designed with high quality, lightweight plastic.
- Designed to serve as the central distribution point for voice, data, video, audio, and security services for smaller residential structured wiring systems.
- Allows for internal modules to be mounted horizontally or vertically.
- Integrated snap-in module system enables users to quickly insert or move the internal modules.
- Includes 3 top, 3 bottom, 4 rear, and 2 side knockouts for routing cables.
- Includes a knockout for an optional AC power outlet (not included) to provide power distribution.
- Fits between 16" wall mounting spaces or can be wall mounted.
- Designed with a pad lock option for additional security (pad lock not included).
- Net Media Center enclosures are not designed to be installed in firewall applications.
- ETL listed and complies with TIA-568-C, TIA-570-B and TIA-607 standards.

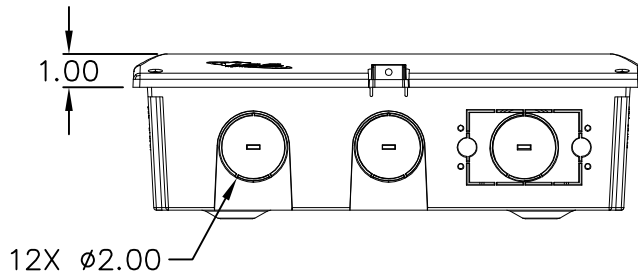
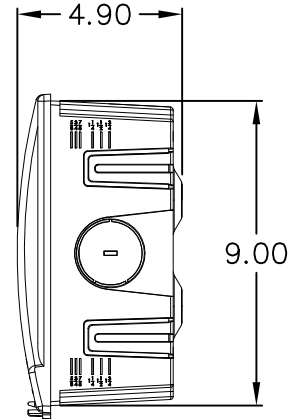
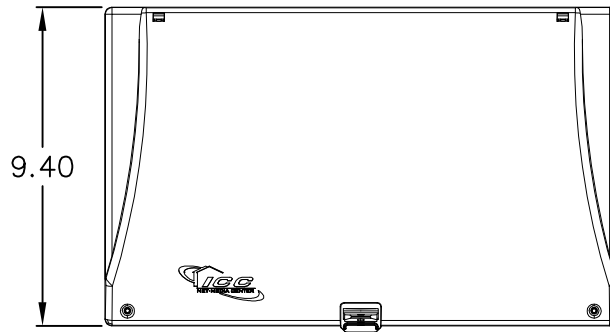
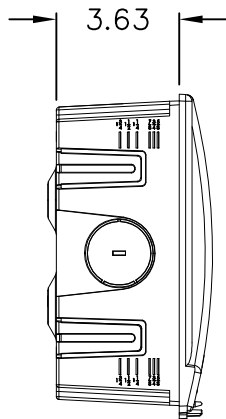
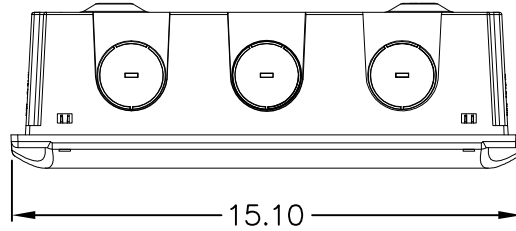
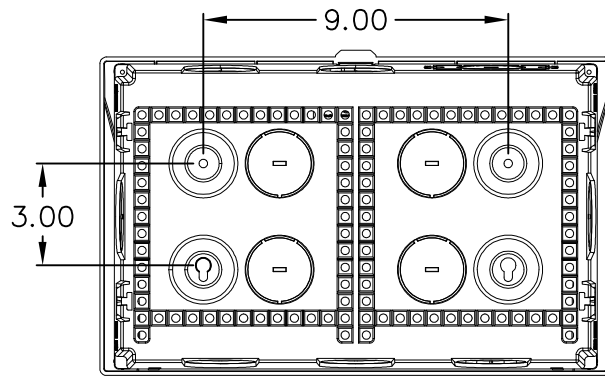
### COMBO, NET MEDIA CENTER, PLASTIC, 9"

|          |            |
|----------|------------|
| ITEM NO. | ICRESDC9PK |
| DWG NO.  | PSRESDC9PK |

|          |   |
|----------|---|
| REV.     | B |
| PAGE NO. | 1 |




CUSTOMER CARE / TECHNICAL SUPPORT \* CSR@ICC.COM / 888-ASK-4-ICC (275-4422) \* 14700 Alondra Blvd., La Mirada, CA 90638 \* www.icc.com

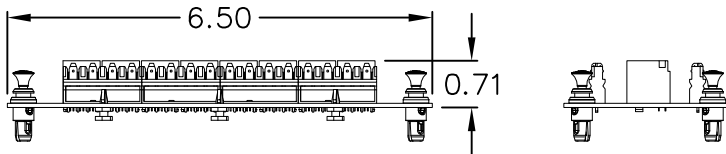
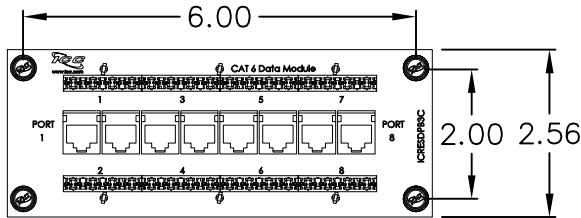


**NOTE: UNLESS OTHERWISE SPECIFIED**

- 1. MATERIAL: ABS UL 94V-0
- 2. COLOR: WHITE
- 3. FINISH: MATTE

|                                             |            |                                                                                                                                                                         |        |
|---------------------------------------------|------------|-------------------------------------------------------------------------------------------------------------------------------------------------------------------------|--------|
| <b>COMBO, NET MEDIA CENTER, PLASTIC, 9"</b> |            | <br><i>PremiumProducts</i><br><b>ProvenPerformance</b><br><i>CompetitivePrices</i> |        |
| ITEM NO.                                    | ICRESDC9PK |                                                                                                                                                                         | REV. B |
| DWG NO.                                     | PSRESDC9PK | PAGE NO.                                                                                                                                                                | 2      |

CUSTOMER CARE / TECHNICAL SUPPORT \* CSR@ICC.COM / 888-ASK-4-ICC (275-4422) \* 14700 Alondra Blvd., La Mirada, CA 90638 \* www.icc.com

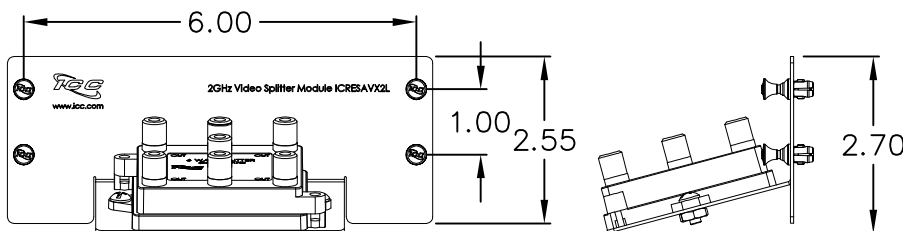
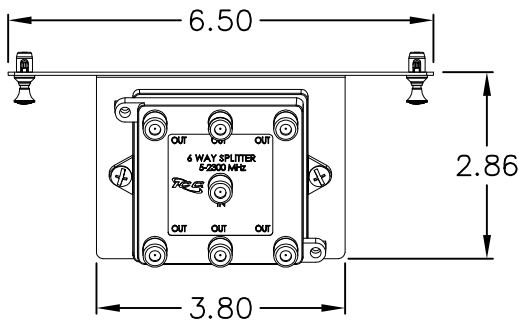
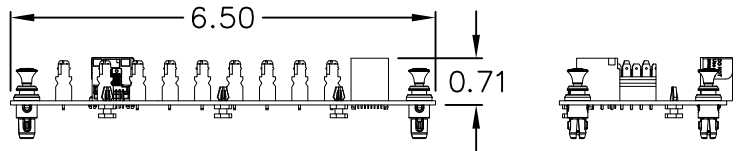
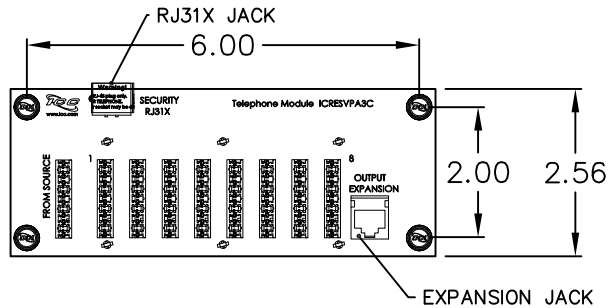


**NOTE: UNLESS OTHERWISE SPECIFIED**

1. 8-PORT CAT 6 DATA MODULE:
  - A. PCB: GLASS EPOXY FR-4 COPPER CLAD, t=1.20mm
  - B. 110 BLOCK:
    - HOUSING: PC, UL 94V-0
    - IDC: PHOSPHOROUS BRONZE, TIN PLATED
  - C. RJ45 JACK/SOCKET:
    - HOUSING: PBT + 15% FIBER GLASS
    - CONTACT: PHOSPHOROUS BRONZE, 50u" GOLD PLATED
  - D. WIRING IN ACCORDANCE TO T568A
  - E. CATEGORY 6 RATED
2. LOCKING BUTTON: MATERIAL: NYLON 6/6, UL 94V-0

**NOTE: UNLESS OTHERWISE SPECIFIED**

1. 8-PORT TELEPHONE MODULE WITH RJ31X JACK:
  - A. PCB: GLASS EPOXY FR-4 COPPER CLAD, t=1.20mm
  - B. 110 BLOCK:
    - HOUSING: PC, UL 94V-0
    - IDC: PHOSPHOROUS BRONZE, TIN PLATED
  - C. RJ45 & RJ31X JACK/SOCKET:
    - HOUSING: PBT + 15% FIBER GLASS
    - CONTACT: PHOSPHOROUS BRONZE, 50u" GOLD PLATED
  - D. WIRING IN ACCORDANCE TO T568A
2. LOCKING BUTTON: MATERIAL: NYLON 6/6, UL 94V-0



**NOTE: UNLESS OTHERWISE SPECIFIED**

1. 1X6 VIDEO SPLITTER:
  - A. HOUSING: DIE-CASTING WITH NICKEL PLATING
  - B. CONNECTORS: F-TYPE FEMALE
  - C. FREQUENCY RANGE: 5 ~ 2300 MHZ
  - D. INSERTION LOSS: 15 dB TYPICAL
2. MOUNTING BRACKET:
  - A. MATERIAL: 18 GA CRS
  - B. SURFACE FINISH: WHITE POWDER COAT
3. LOCKING BUTTON: MATERIAL: NYLON 6/6, UL 94V-0

**COMBO, NET MEDIA CENTER, PLASTIC, 9"**

|          |            |          |   |
|----------|------------|----------|---|
| ITEM NO. | ICRESDC9PK | REV.     | B |
| DWG NO.  | PSRESDC9PK | PAGE NO. | 3 |



CUSTOMER CARE / TECHNICAL SUPPORT \* CSR@ICC.COM / 888-ASK-4-ICC (275-4422) \* 14700 Alondra Blvd., La Mirada, CA 90638 \* www.icc.com