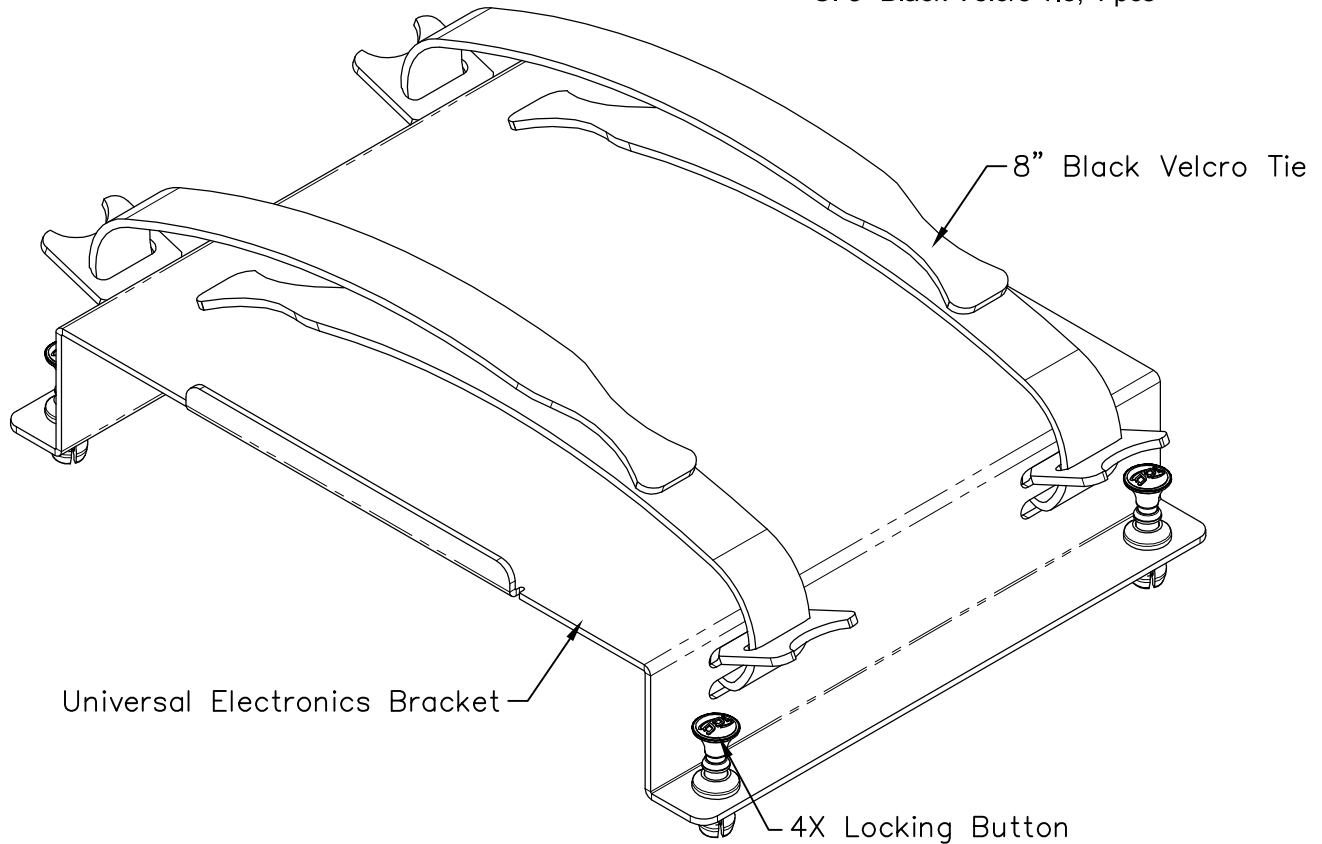


Universal Electronics Bracket

PRODUCT SPECIFICATION


Package includes:

- A. Universal Electronics Bracket, 1 pc
- B. Locking Button, 4 pcs
- C. 8" Black Velcro Tie, 4 pcs

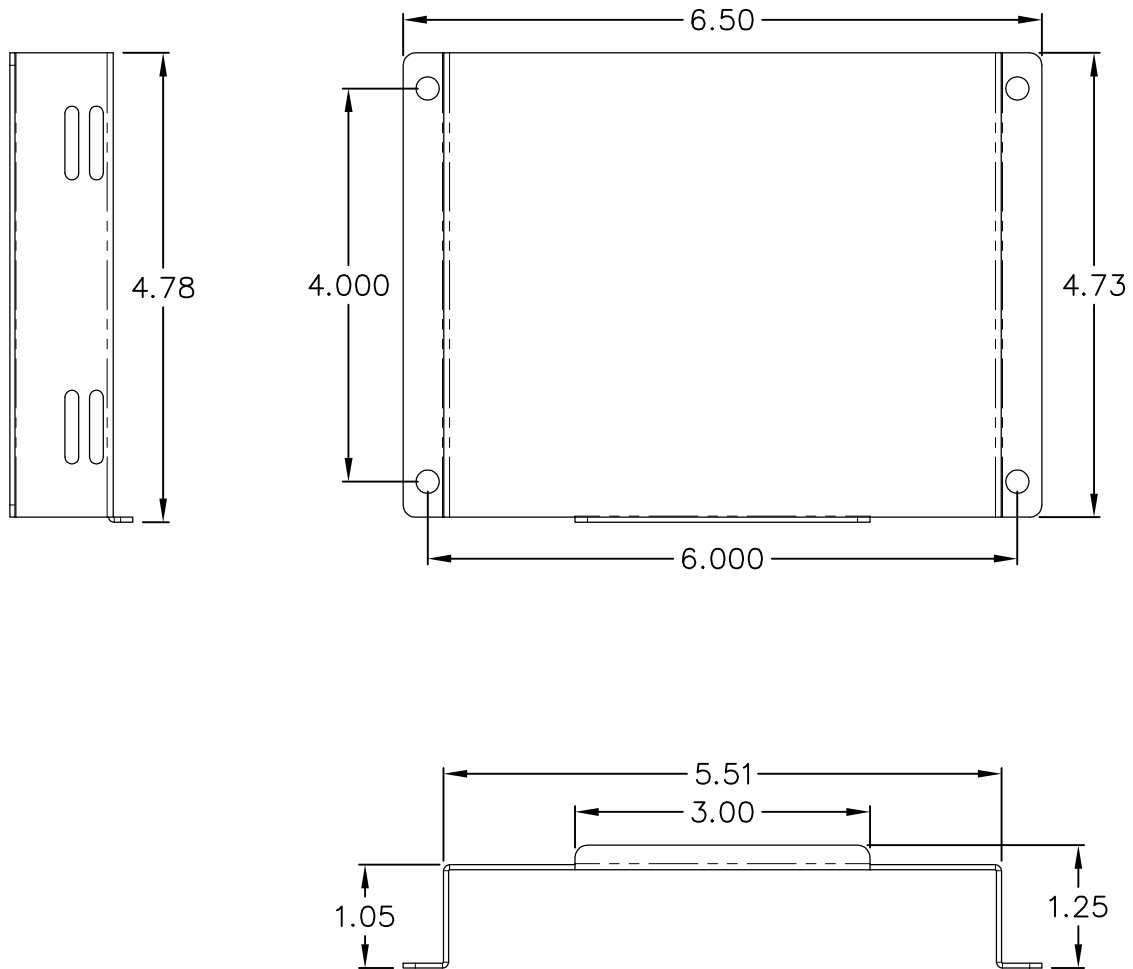


Features and Benefits:

- Designed with steel construction, white powder coated, lightweight and sturdy
- Designed to hold cable or DSL modems, routers, switches, and other electronics
- Bottom lip to help support equipment
- Comes with velcro ties to hold electronics securely in place
- Fits all ICRESDC 14", 21", and 28" resi distribution center enclosures

RESI BRACKET, ELECTRONICS, UNIVERSAL		 <i>PremiumProducts</i> <i>ProvenPerformance</i> <i>CompetitivePrices</i>	
ITEM NO.	ICRESDCBUM		REV. A
DWG NO.	PSRESDCBUM		PAGE NO. 1

CUSTOMER CARE / TECHNICAL SUPPORT * CSR@ICC.COM / 888-ASK-4-ICC (275-4422) * 2100 E. Valencia Dr, Suite D, Fullerton, CA 92831 * www.icc.com




NOTE: UNLESS OTHERWISE SPECIFIED

1. BRACKET:

- A. MATERIAL: 18 GA CRS
- B. SURFACE FINISH: WHITE MATTE COAT

2. LOCKING BUTTON:

- A. MATERIAL: NYLON 6/6, UL 94V-0

RESI BRACKET, ELECTRONICS, UNIVERSAL		 <i>PremiumProducts</i> <i>ProvenPerformance</i> <i>CompetitivePrices</i>	
ITEM NO.	ICRESDCBUM		REV. A
DWG NO.	PSRESDCBUM		PAGE NO. 2

CUSTOMER CARE / TECHNICAL SUPPORT * CSR@ICC.COM / 888-ASK-4-ICC (275-4422) * 2100 E. Valencia Dr, Suite D, Fullerton, CA 92831 * www.icc.com