

8-Port CAT 6 Data Compact Module, 10 PK

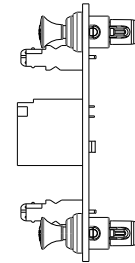
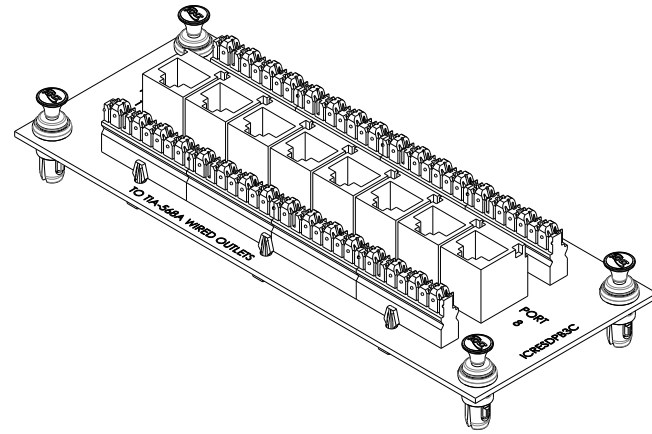
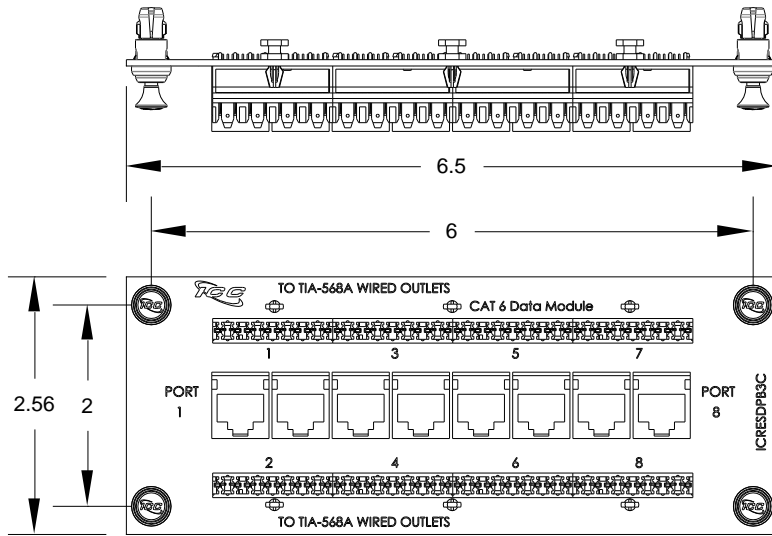
Package Includes

- A. 8-Port CAT 6 Data Module, 10 PCS
- B. Installation Instructions, 1 Sheet



Features and Benefits

- Designed to support up to 8 Category 6 data lines
- Wiring in accordance to TIA-568A for residential use
- Exceeds ANSI/TIA-568-C requirements for permanent, channel link and component Performances
- Fits all ICRESDC 14", 21", AND 28" Net Media center enclosures with the locking buttons
- Installation instructions included



NOTE: UNLESS OTHERWISE SPECIFIED

1. 8-Port CAT 6 Data Module:

- A. PCB: Glass Epoxy FR-4 Copper Clad, t=1.20mm
- B. 110 Block:
 - Housing: PC, UL 94V-0
 - IDC: Phosphorous Bronze, Tin Plated
- C. RJ45 Jack/Socket:
 - Housing: PBT + 15% Fiber Glass
 - Contact: Phosphorous Bronze, 50u" Gold Plated
- D. Wiring in Accordance to TIA-568A
- E. Category 6 Rated

2. Locking Button:

- A. Material: Nylon 6/6, UL 94V-0