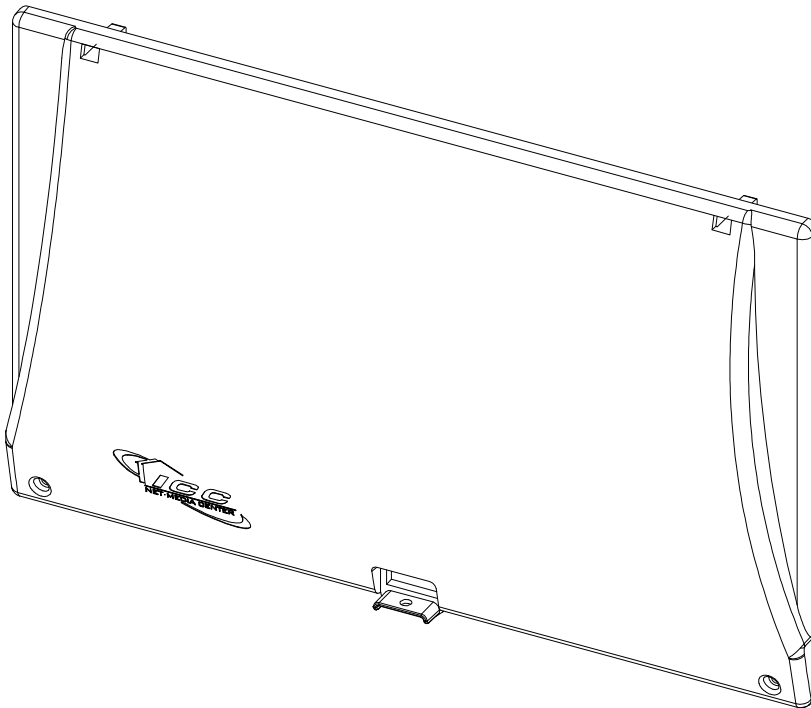


9" Plastic Residential Enclosure Door

PRODUCT SPECIFICATION

Package includes:

- A. Door, 1 pc
- B. #6-32 X 7/8", Pan Head Machine Screw, Phillips, Zinc Plated, 2 pcs



Features and Benefits:

- Designed and manufactured with high quality plastic for strength and durability.
- Compatible with ICRESDC9PD and ICRESDC9PK.
- ETL recognized.

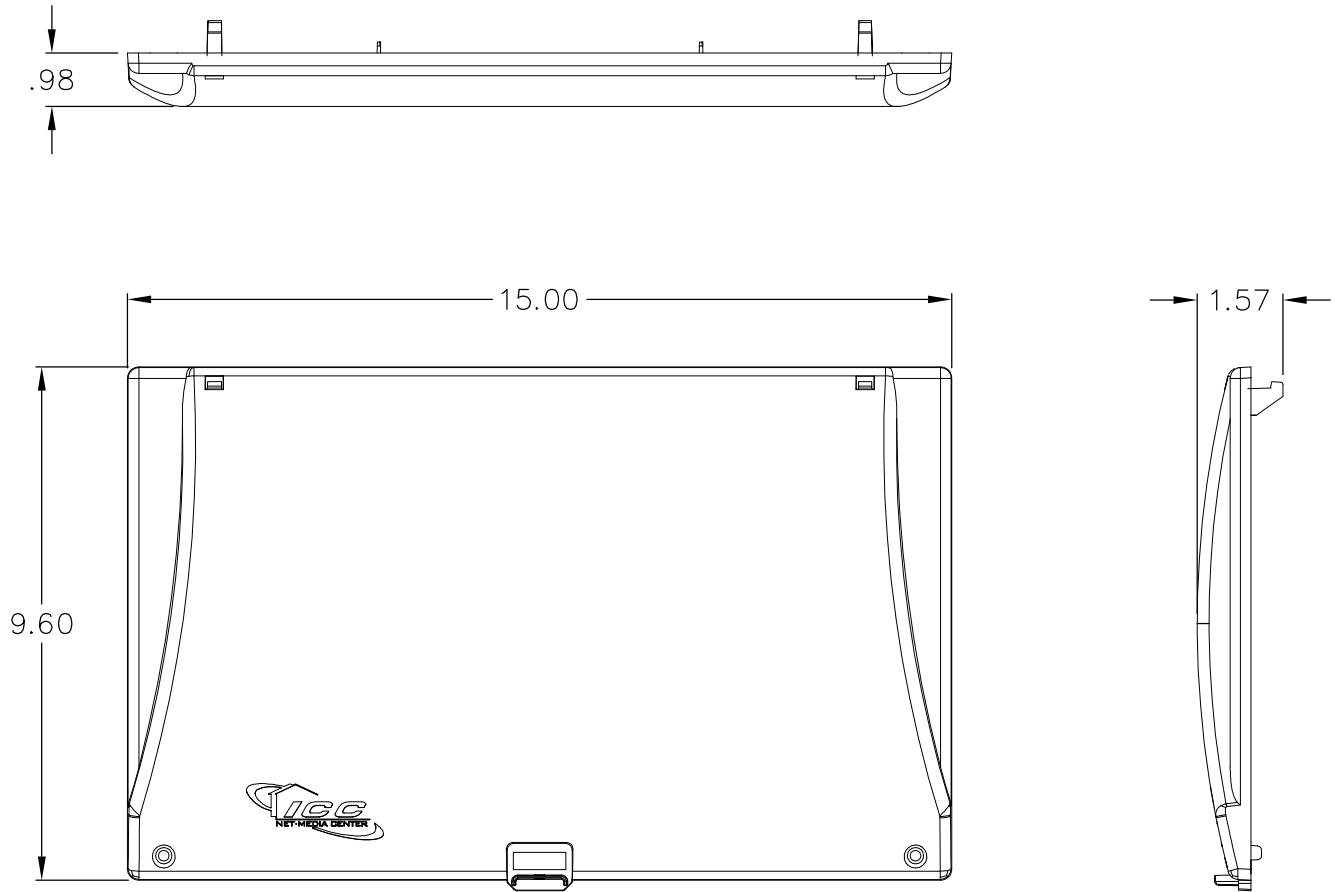
RESI, DOOR, 9"



ITEM NO.	PSRESDR9PH
DWG NO.	PSRESDR9PH

REV.	A
PAGE NO.	1

888-ASK-4-ICC (275-4422) * CSR@ICC.COM * WWW.ICC.COM



NOTE: UNLESS OTHERWISE SPECIFIED

1. MATERIAL: ABS UL 94V-0

RESI, DOOR, 9"



ITEM NO.	PSRESDR9PH
DWG NO.	PSRESDR9PH

REV.	A
PAGE NO.	2

888-ASK-4-ICC (275-4422) * CSR@ICC.COM * WWW.ICC.COM