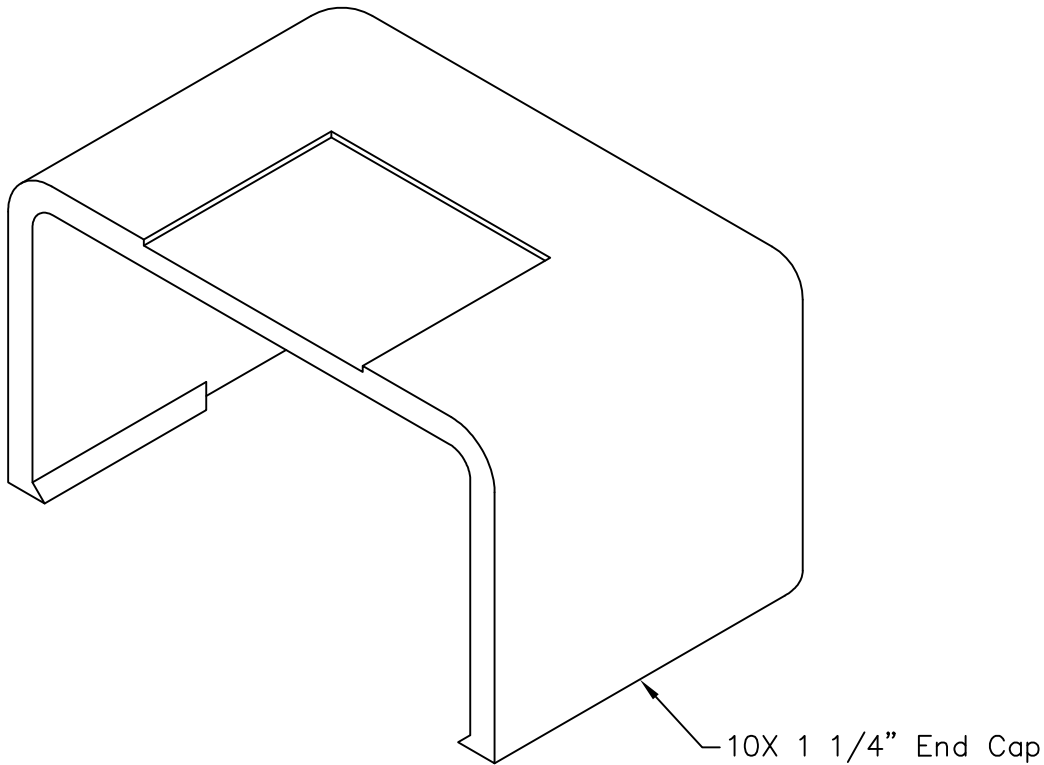


1 1/4" End Cap

PRODUCT SPECIFICATION

Package includes:

A. 1 1/4" End Cap, 10 pcs



Features and Benefits:

- Designed to protect raceway ends
- Accommodates ICRW33R, ICRWR12S, and ICRWR128 1 1/4"W x 3/4"H raceway sections
- Available in ivory and white

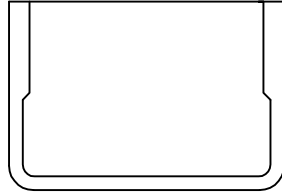
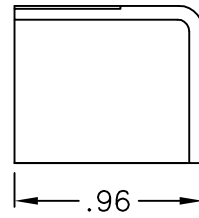
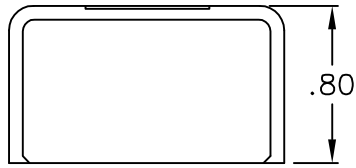
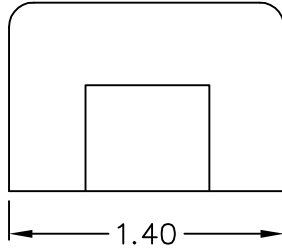
END CAP, 1 1/4", 10 PK

ITEM NO.	ICRW12ECXX
DWG NO.	PSRW12EC00

REV.	A
PAGE NO.	1



CUSTOMER CARE / TECHNICAL SUPPORT * CSR@ICC.COM / 888-ASK-4-ICC (275-4422) * 2100 E. Valencia Dr, Suite D, Fullerton, CA 92831 * www.icc.com



NOTE: UNLESS OTHERWISE SPECIFIED

1. MATERIAL: HIGH IMPACT STYRENE
2. COLOR: XX: IV-IVORY & WH-WHITE

END CAP, 1 1/4", 10 PK

ITEM NO. ICRW12ECXX
 DWG NO. PSRW12EC00

REV. A
 PAGE NO. 2



CUSTOMER CARE / TECHNICAL SUPPORT * CSR@ICC.COM / 888-ASK-4-ICC (275-4422) * 2100 E. Valencia Dr, Suite D, Fullerton, CA 92831 * www.icc.com