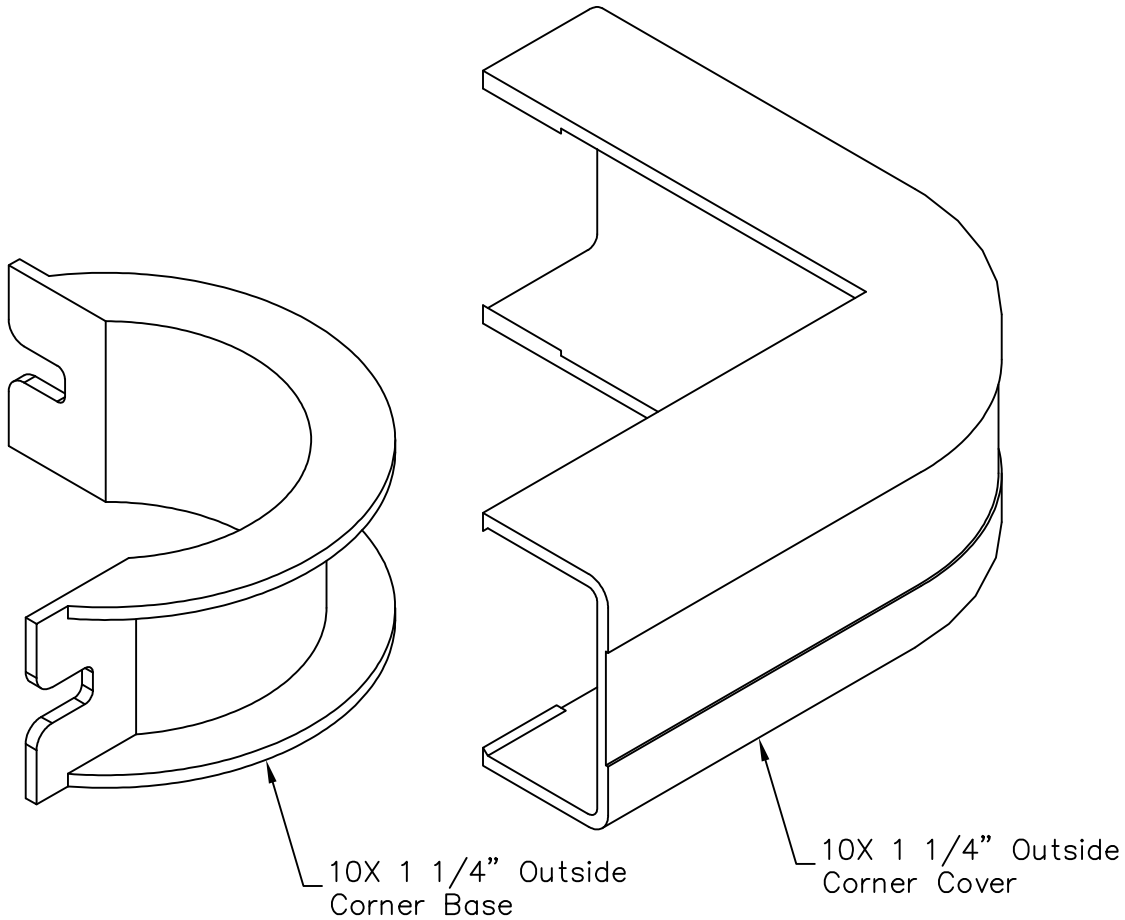


1 1/4" Outside Corner Cover & Base

PRODUCT SPECIFICATION

Package includes:

- A. 1 1/4" Outside Corner Cover, 10 pcs
- B. 1 1/4" Outside Corner Base, 10 pcs



Features and Benefits:

- Designed to maintain cable bend radius
- Accommodates ICRW33R, ICRWR12S, and ICRWR128 1 1/4"W x 3/4"H raceway sections
- Available in ivory and white

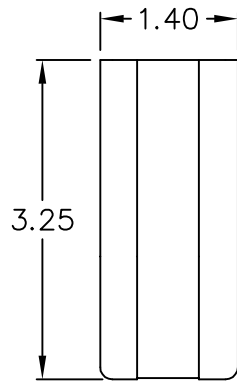
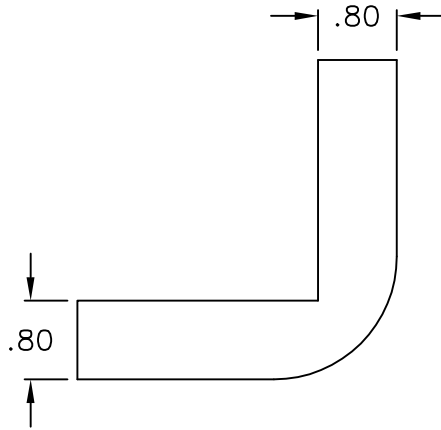
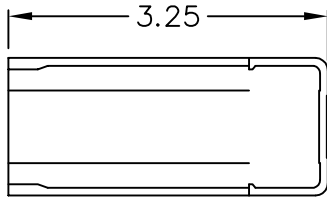
OUTSIDE CORNER & BASE, 1 1/4", 10 PK

ITEM NO.	ICRW120BXX
DWG NO.	PSRW120B00

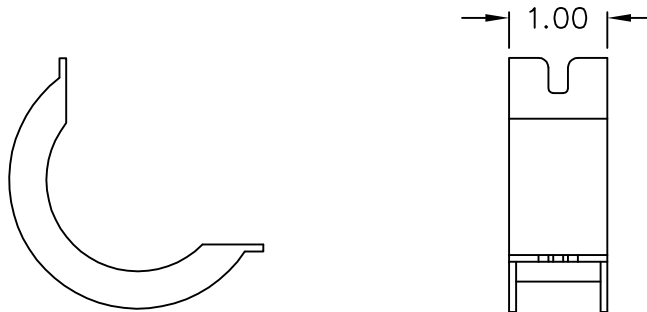
REV.	A
PAGE NO.	1



CUSTOMER CARE / TECHNICAL SUPPORT * CSR@ICC.COM / 888-ASK-4-ICC (275-4422) * 2100 E. Valencia Dr, Suite D, Fullerton, CA 92831 * www.icc.com



3/4" OUTSIDE CORNER COVER



3/4" OUTSIDE CORNER BASE

NOTE: UNLESS OTHERWISE SPECIFIED

1. MATERIAL:

A. OUTSIDE CORNER COVER: HIGH IMPACT STYRENE

B. OUTSIDE CORNER BASE: HIGH IMPACT STYRENE

2. COLOR: XX: IV-IVORY & WH-WHITE

OUTSIDE CORNER & BASE, 1 1/4", 10 PK

ITEM NO. ICRW120BXX

REV. A

DWG NO. PSRW120B00

PAGE NO. 2



CUSTOMER CARE / TECHNICAL SUPPORT * CSR@ICC.COM / 888-ASK-4-ICC (275-4422) * 2100 E. Valencia Dr, Suite D, Fullerton, CA 92831 * www.icc.com