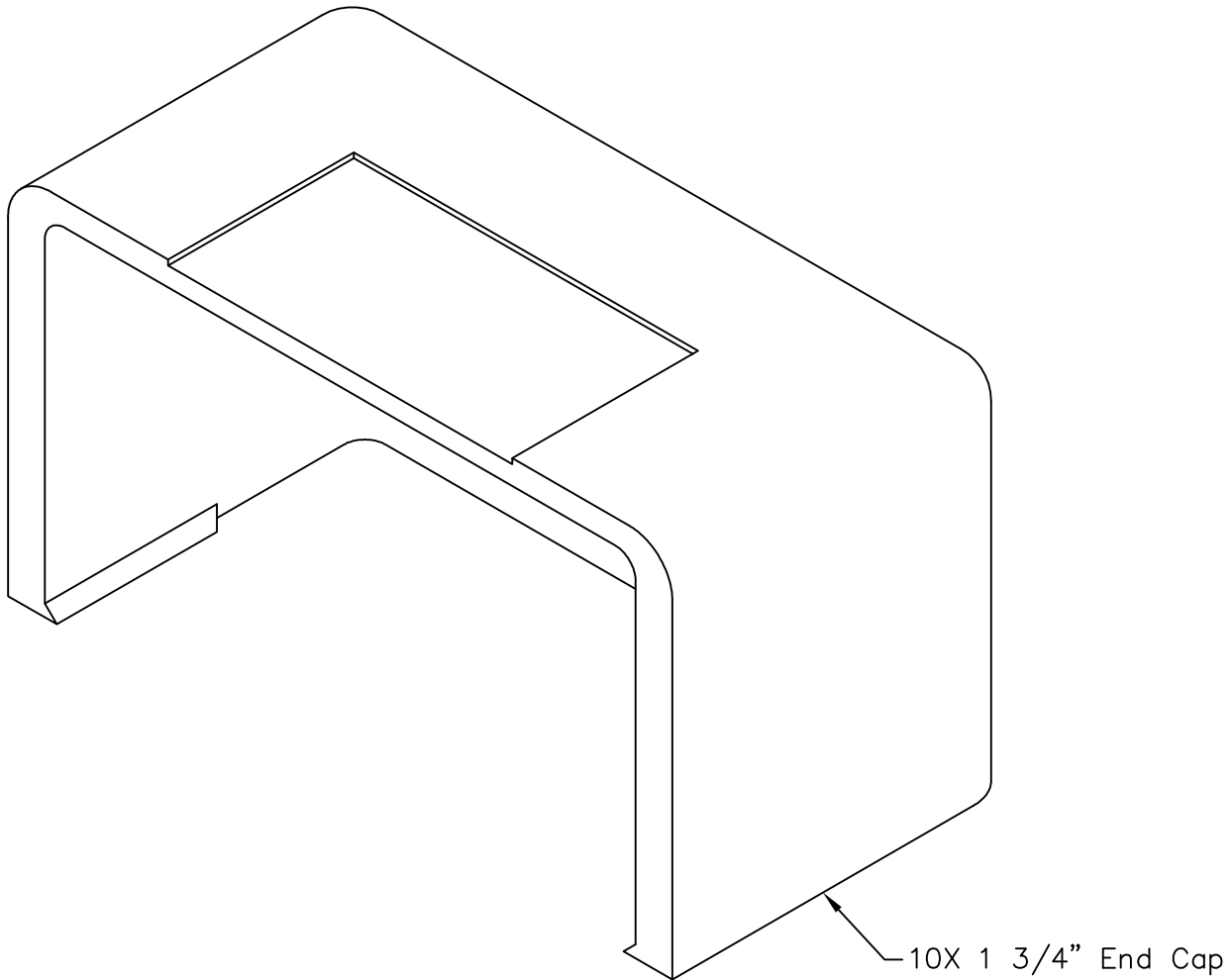


1 3/4" End Cap

PRODUCT SPECIFICATION

Package includes:

A. 1 3/4" End Cap, 10 pcs



Features and Benefits:

- Designed to protect raceway ends
- Accommodates ICRWR13S, ICRW44R, and ICRWR138 1 3/4"W x 1"H raceway sections
- Available in ivory and white

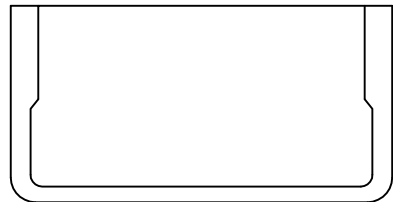
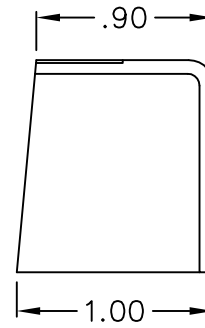
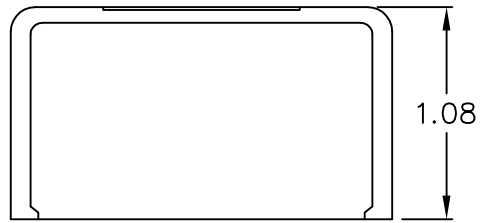
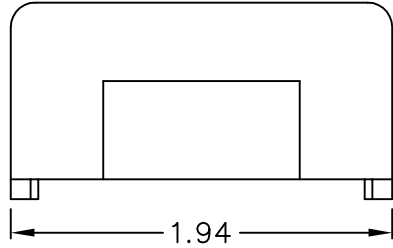
END CAP, 1 3/4", 10 PK

ITEM NO. ICRW13ECXX
DWG NO. PSRW13EC00

REV. A
PAGE NO. 1



CUSTOMER CARE / TECHNICAL SUPPORT * CSR@ICC.COM / 888-ASK-4-ICC (275-4422) * 2100 E. Valencia Dr, Suite D, Fullerton, CA 92831 * www.icc.com



NOTE: UNLESS OTHERWISE SPECIFIED

- 1. MATERIAL: HIGH IMPACT STYRENE
- 2. COLOR: XX: IV-IVORY & WH-WHITE

END CAP, 1 3/4', 10 PK

ITEM NO. ICRW13ECXX
 DWG NO. PSRW13EC00

REV. A
 PAGE NO. 2



CUSTOMER CARE / TECHNICAL SUPPORT * CSR@ICC.COM / 888-ASK-4-ICC (275-4422) * 2100 E. Valencia Dr, Suite D, Fullerton, CA 92831 * www.icc.com