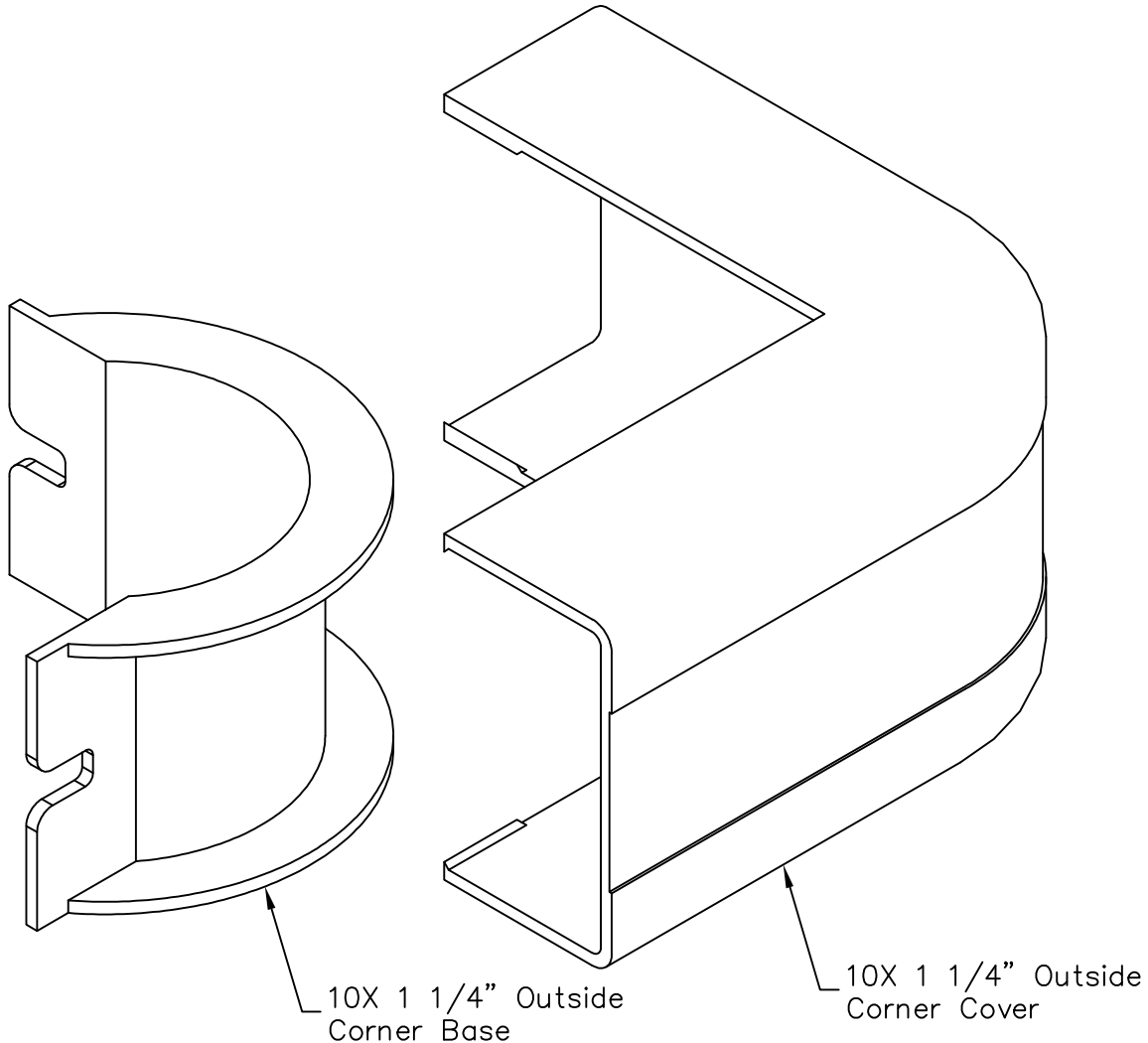


1 3/4" Outside Corner Cover & Base

PRODUCT SPECIFICATION

Package includes:

- A. 1 3/4" Outside Corner Cover, 10 pcs
- B. 1 3/4" Outside Corner Base, 10 pcs



Features and Benefits:

- Designed to maintain cable bend radius
- Accommodates ICRWR13S, ICRW44R, and ICRWR138 1 3/4"W x 1"H raceway sections
- Available in ivory and white

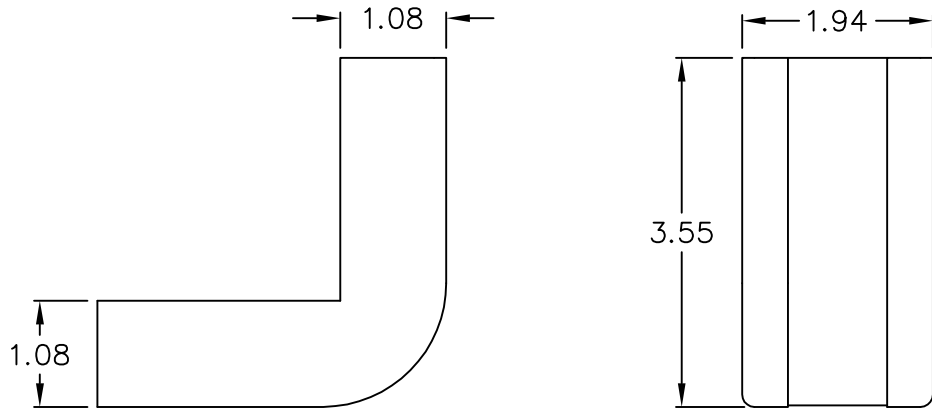
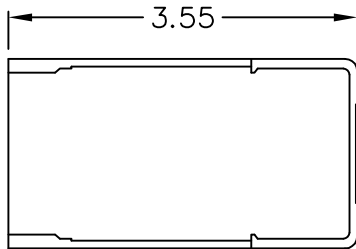
OUTSIDE CORNER & BASE, 1 3/4", 10 PK

ITEM NO.	ICRW13OBXX
DWG NO.	PSRW13OB00

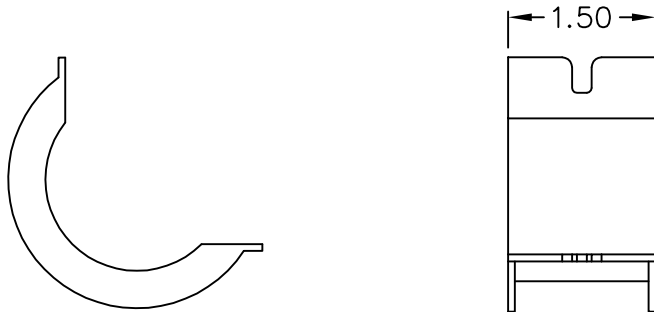
REV.	A
PAGE NO.	1



CUSTOMER CARE / TECHNICAL SUPPORT * CSR@ICC.COM / 888-ASK-4-ICC (275-4422) * 2100 E. Valencia Dr, Suite D, Fullerton, CA 92831 * www.icc.com



3/4" OUTSIDE CORNER COVER



3/4" OUTSIDE CORNER BASE

NOTE: UNLESS OTHERWISE SPECIFIED

1. MATERIAL:

- A. OUTSIDE CORNER COVER: HIGH IMPACT STYRENE
- B. OUTSIDE CORNER BASE: HIGH IMPACT STYRENE

2. COLOR: XX: IV-IVORY & WH-WHITE

OUTSIDE CORNER & BASE, 1 3/4", 10 PK			
ITEM NO.	ICRW130BXX		REV. A
DWG NO.	PSRW130B00		PAGE NO. 2

CUSTOMER CARE / TECHNICAL SUPPORT * CSR@ICC.COM / 888-ASK-4-ICC (275-4422) * 2100 E. Valencia Dr, Suite D, Fullerton, CA 92831 * www.icc.com