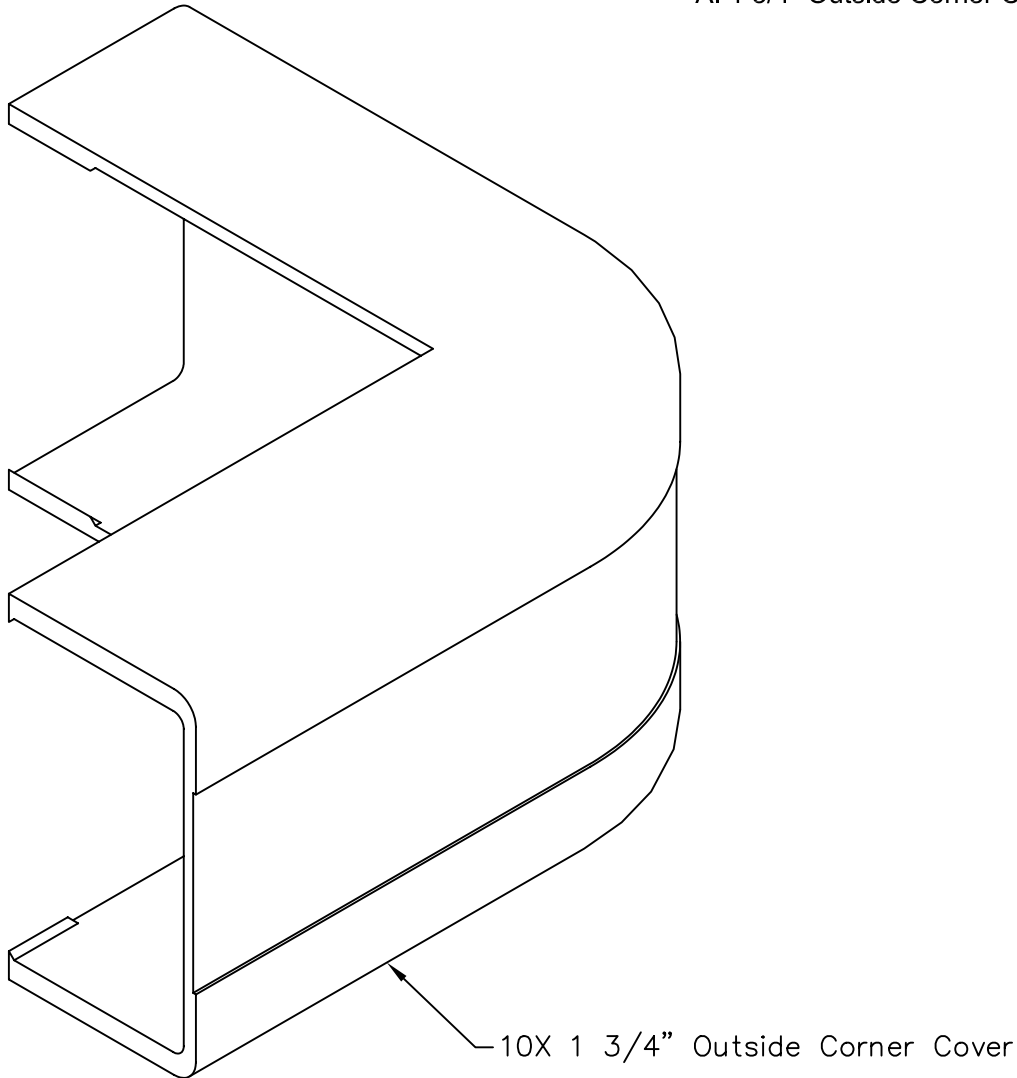


# 1 3/4" Outside Corner Cover

## PRODUCT SPECIFICATION


### Package includes:

A. 1 3/4" Outside Corner Cover, 10 pcs

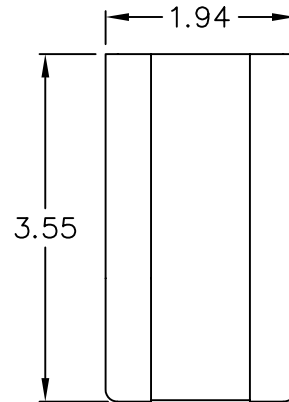
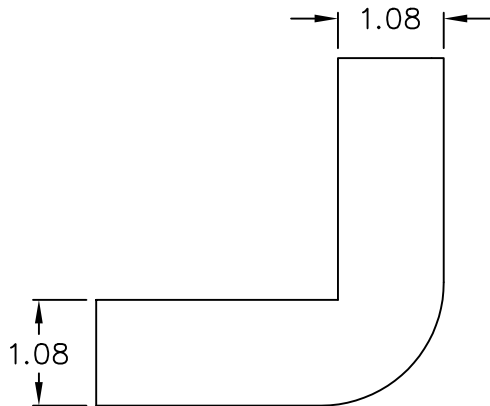
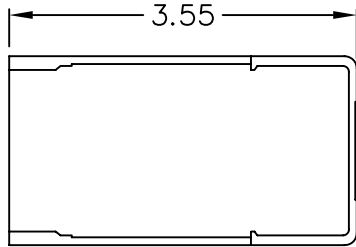


### Features and Benefits:

- Designed to maintain cable bend radius
- Accommodates ICRW13SR and ICRW138R 1 3/4"W x 1"H raceway sections
- Available in ivory and white


<b>OUTSIDE CORNER COVER, 1 3/4", 10 PK</b>		 <i>PremiumProducts</i> <i>ProvenPerformance</i> <i>CompetitivePrices</i>	
ITEM NO.	ICRW130CXX		REV. A
DWG NO.	PSRW130C00		PAGE NO. 1

CUSTOMER CARE / TECHNICAL SUPPORT \* CSR@ICC.COM / 888-ASK-4-ICC (275-4422) \* 14700 Alondra Blvd., La Mirada, CA 90638 \* www.icc.com



**NOTE: UNLESS OTHERWISE SPECIFIED**

- 1. MATERIAL: HIGH IMPACT STYRENE
- 2. COLOR: XX: IV-IVORY & WH-WHITE

<b>OUTSIDE CORNER COVER, 1 3/4", 10 PK</b>			
ITEM NO.	ICRW130CXX		REV. A
DWG NO.	PSRW130C00		PAGE NO. 2

CUSTOMER CARE / TECHNICAL SUPPORT \* CSR@ICC.COM / 888-ASK-4-ICC (275-4422) \* 14700 Alondra Blvd., La Mirada, CA 90638 \* www.icc.com