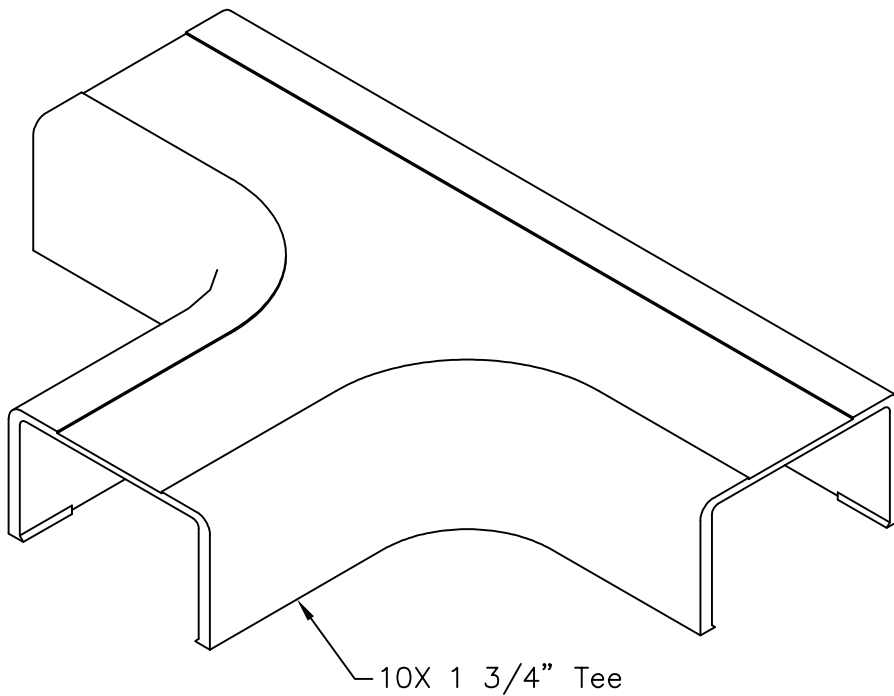


# 1 3/4" Tee

## PRODUCT SPECIFICATION

### Package includes:

A. 1 3/4" Tee, 10 pcs



### Features and Benefits:

- Designed to attach three raceway sections while maintaining bend radius
- Accommodates ICRWR13S, ICRW44R, and ICRWR138 1 3/4"W x 1"H raceway sections
- Available in ivory and white

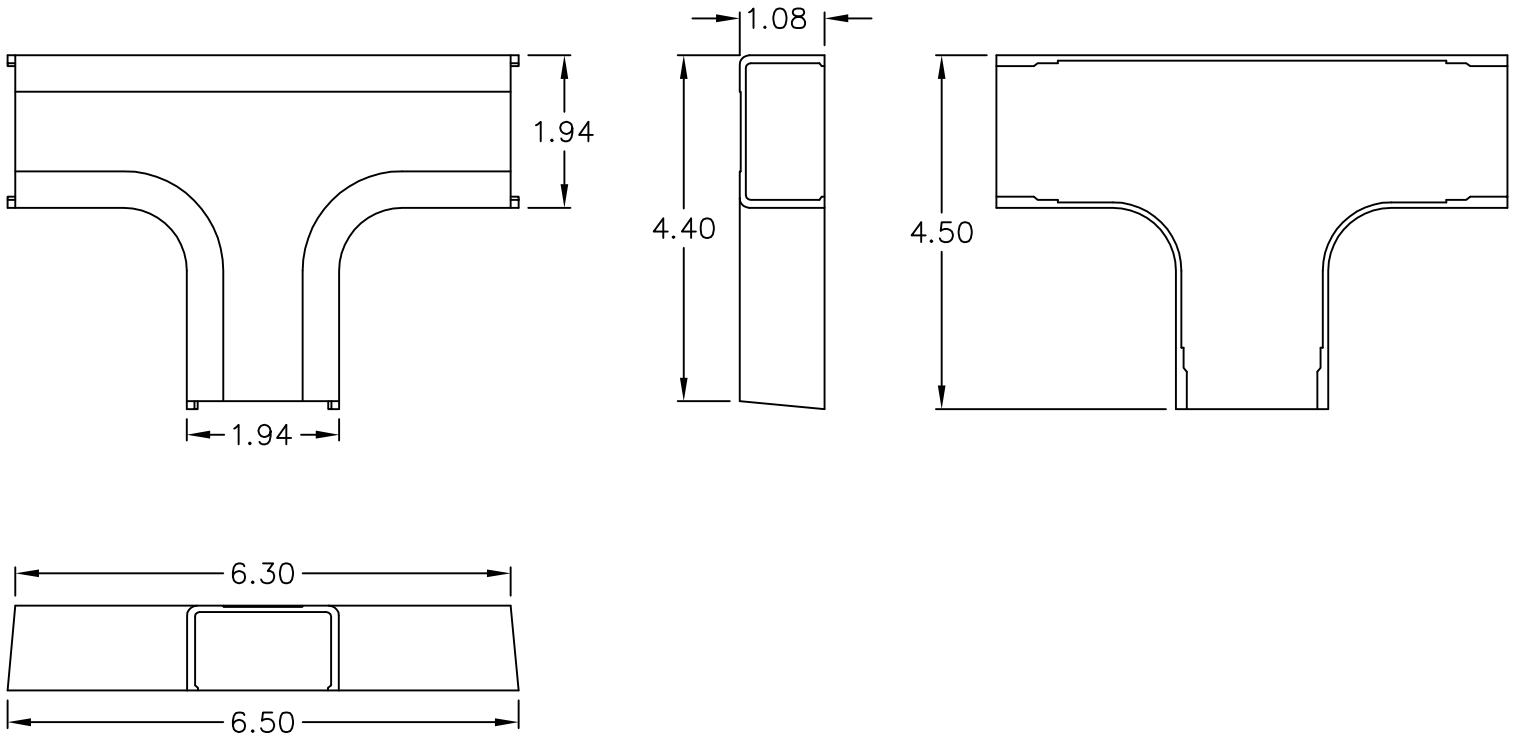
### TEE, 1 3/4", 10 PK

ITEM NO.	ICRW13TOXX
DWG NO.	PSRW13T000

REV.	A
PAGE NO.	1



CUSTOMER CARE / TECHNICAL SUPPORT \* CSR@ICC.COM / 888-ASK-4-ICC (275-4422) \* 2100 E. Valencia Dr, Suite D, Fullerton, CA 92831 \* www.icc.com



**NOTE: UNLESS OTHERWISE SPECIFIED**

1. MATERIAL: HIGH IMPACT STYRENE
2. COLOR: XX: IV-IVORY & WH-WHITE

**TEE, 1 3/4", 10 PK**

ITEM NO.	ICRW13TOXX
DWG NO.	PSRW13TO00

REV.	A
PAGE NO.	2



CUSTOMER CARE / TECHNICAL SUPPORT \* CSR@ICC.COM / 888-ASK-4-ICC (275-4422) \* 2100 E. Valencia Dr, Suite D, Fullerton, CA 92831 \* www.icc.com