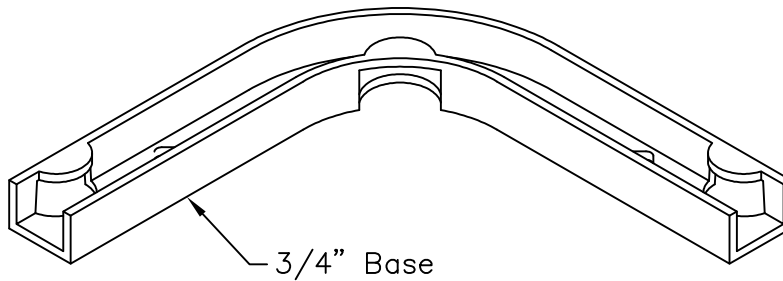
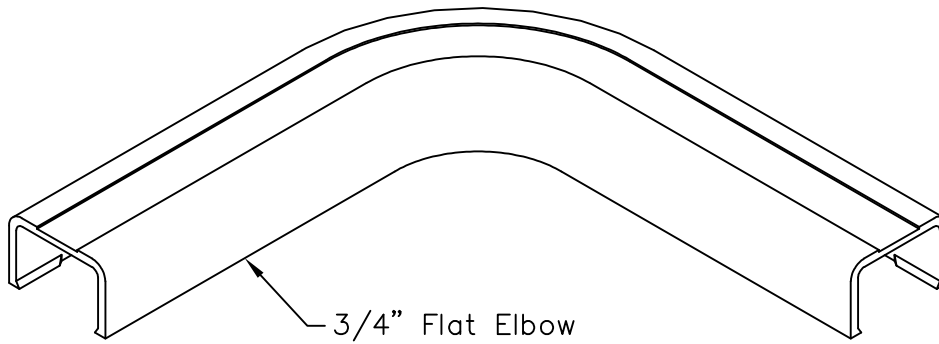


3/4" 90° Flat Elbow & Base

PRODUCT SPECIFICATION

Package includes:

- A. 3/4" Flat Elbow, 1 pc
- B. 3/4" Base, 1 pc



Features and Benefits:

- Designed to allow left and right turns on raceway sections.
- Accommodates ICRW22R, ICRWR118, and ICRWR11S 3/4"W x 1/2"H raceway sections.
- Available in ivory and white.

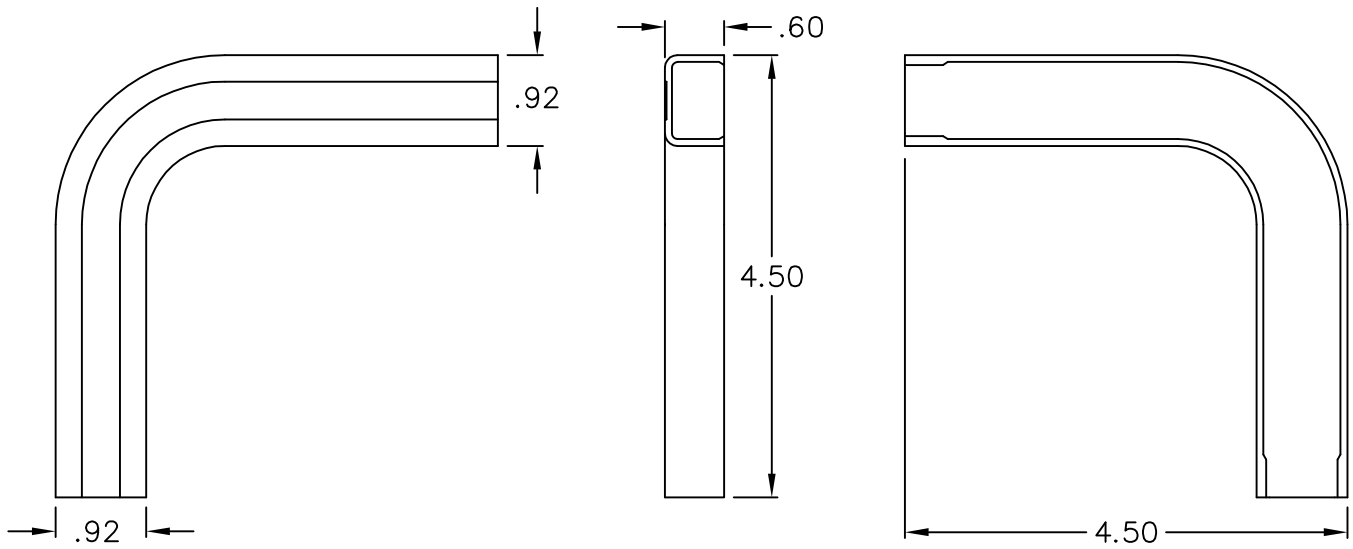
FLAT ELBOW & BASE, 3/4"

ITEM NO.	ICRW22EBXX
DWG NO.	PSRW22EB00

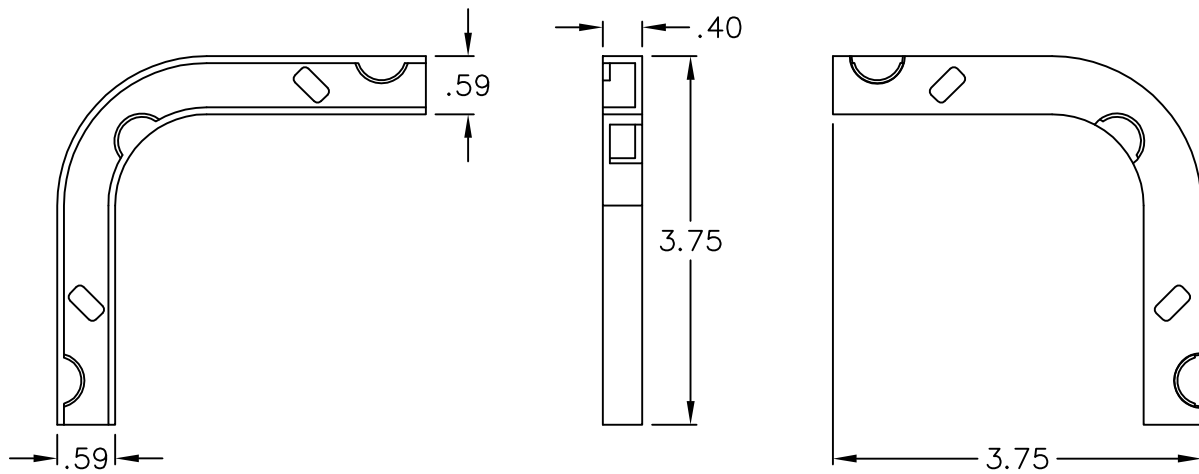
REV.	A
PAGE NO.	1



CUSTOMER CARE / TECHNICAL SUPPORT * CSR@ICC.COM / 888-ASK-4-ICC (275-4422) * 2100 E. Valencia Dr, Suite D, Fullerton, CA 92831 * www.icc.com



3/4" FLAT ELBOW



3/4" BASE

NOTE: UNLESS OTHERWISE SPECIFIED

1. MATERIAL:

A. FLAT ELBOW: HIGH IMPACT STYRENE

B. BASE: HIGH IMPACT STYRENE

2. COLOR: XX: IV-IVORY & WH-WHITE

FLAT ELBOW & BASE, 3/4"

ITEM NO. ICRW22EBXX
 DWG NO. PSRW22EB00

REV. A
 PAGE NO. 2



CUSTOMER CARE / TECHNICAL SUPPORT * CSR@ICC.COM / 888-ASK-4-ICC (275-4422) * 2100 E. Valencia Dr, Suite D, Fullerton, CA 92831 * www.icc.com